

439/6+6

PULSA

FINISHES

GLASS FINISH



WHITE SHADED GLASS



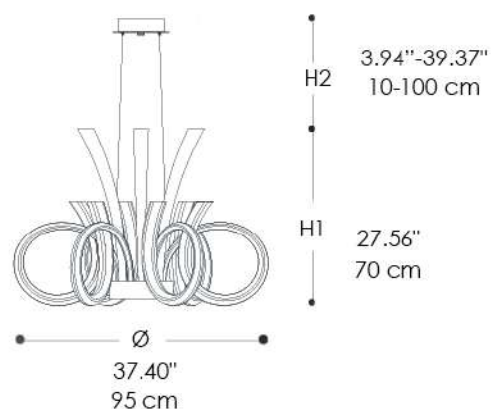
DOVE GLASS

METAL STRUCTURE FINISH



IRON GREY

The Palsa Chandelier in smoked white blown ruled glass and metal structure with iron grey finish. Available in different colors.



LIGHT SOURCES

TEMPERATURE: 3000K
LUMEN: 4300
LED: 46W
VOLTAGE: 120V

CERTIFICATIONS



TECHNICAL INFO

Voltage: 120V

MATERIALS

GLASS, METAL