

2360/LT

ODETTE ODILE

FINISHES

METAL STRUCTURE FINISH



SHINY NICKEL



IRON GREY

FABRIC DIFFUSER



BLACK



WHITE

MARBLE FINISH

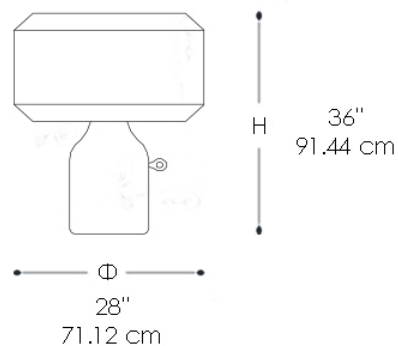


BLACK CERAMIC



WHITE CERAMIC

The Odette Odile table lamp with black or white ceramic base.
Black or white fabric shade.



Sensor Touch



LIGHT SOURCES

LED: 4X13W - E26

CERTIFICATIONS



TECHNICAL INFO

VOLTAGE: 110V
DIMMING: TRIAC

MATERIALS

METAL, FABRIC, MARBLE