

4032/S7

NOLA

FINISHES

GLASS FINISH



CLEAR GLASS



WHITE SHADED GLASS



GOLD SHADED GLASS

METAL STRUCTURE FINISH



WHITE

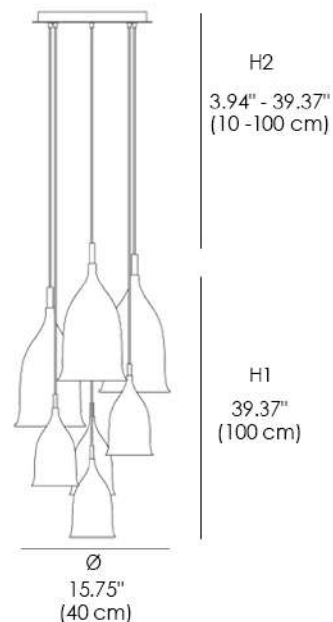


MATTE BLACK



LIGHT GOLD

Glass pendant with gold shaded or white shaded finish. Metal structure with matte white, light gold or iron grey finish.



LIGHT SOURCES

TEMPERATURE: 3000K
LUMEN: 13800
LED: 114W
CRI: >80

CERTIFICATIONS



TECHNICAL INFO

Voltage: 120V

MATERIALS

GLASS, METAL