

T100/40X40, 60, 100X40
LAB

The Lab Pendant in clear and white glass. Available in different colors and in different dimensions.



FINISHES

PENDANT FINISH



CLEAR GLASS

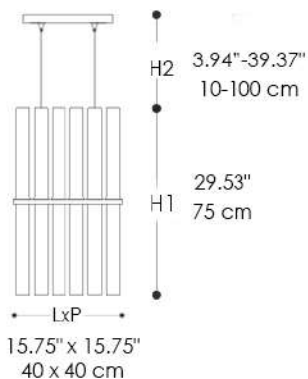


SATIN GLASS

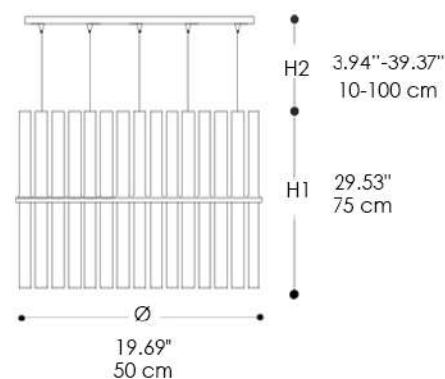
METAL STRUCTURE FINISH



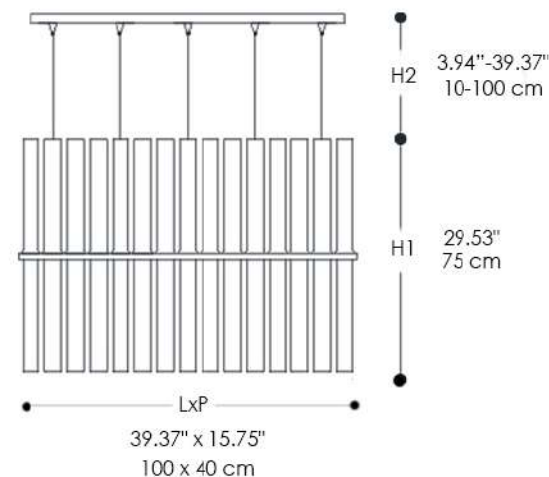
CHROME



Lab Pendant Lamp
(T100/40x40)



Lab Pendant Lamp
(T100/60)



Lab Pendant Lamp
(T100/100x40)

LIGHT SOURCES

TEMPERATURE: 3000K
LUMEN: 2750
LED: 25W

CERTIFICATIONS



TECHNICAL INFO

VOLTAGE: 110V

MATERIALS

GLASS, METAL

LAB PENDANT LAMP (T100/40X40)

LAB PENDANT LAMP (T100/60)

LAB PENDANT LAMP (T100/100X40)

LUMEN: 3410
LED: 31W

LUMEN: 7700
LED: 70W