

4015/P

HUGO

FINISHES

METAL STRUCTURE FINISH



SHINY GOLD



WHITE



BLACK

FABRIC DIFFUSER

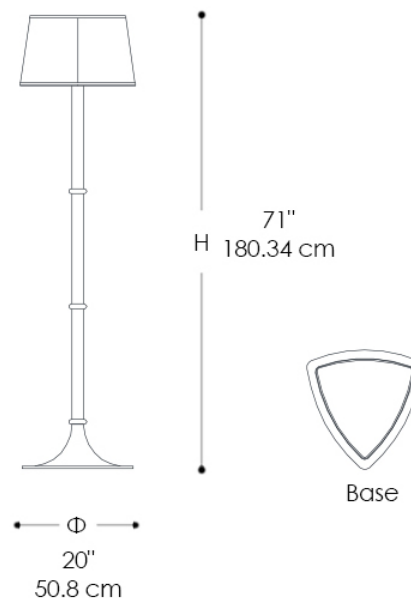


CHINETTE-BLACK



CHINETTE-WHITE

The Hugo Floor lamp in metal with matt black finish and black fabric shade. Shiny gold metal details.



LIGHT SOURCES

LED: 1X13W E26 - LED

CERTIFICATIONS



TECHNICAL INFO

VOLTAGE: 110V
DIMMING: TRIAC

MATERIALS

METAL, FABRIC