

8306/S 8306/S LED

FRAGRENZIA

FINISH



CLEAR CRYSTAL WHITE



CLEAR CRYSTAL BRONZE

METAL STRUCTURE FINISH



CHROME

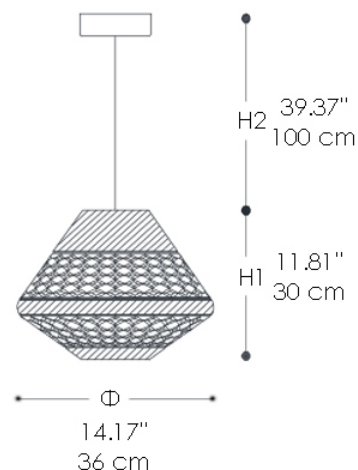


GOLD NICKEL

FRAGRENZIA PENDANT LAMP
(8036/S)

FRAGRENZIA PENDANT LAMP
(8036/S LED)

The Fragrenzia pendant with carved clear crystal bronze and clear crystal white metal structure with nickel gold and chrome metal finish.



LIGHT SOURCES

TEMPERATURE: 1X77W - E27
LUMEN: 1X15W - E27
LED: 1X10W - E27

CERTIFICATIONS



TECHNICAL INFO

VOLTAGE: 110V

MATERIALS

GLASS, METAL