

4036/SG
DALI

FINISHES

GLASS FINISH



GREY RULED GLASS



BLUE RULED GLASS



AMETHYST RULED GLASS



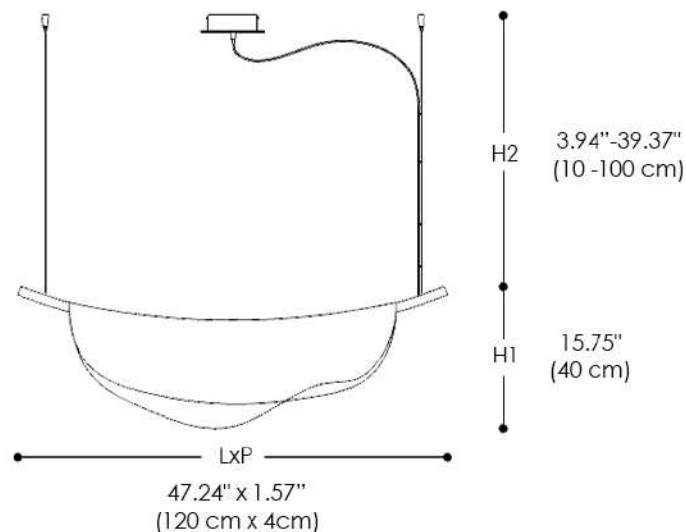
GREEN RULED GLASS

METAL STRUCTURE FINISH



IRON GREY

The Dali Pendant with thermoformed glass and metal structure with iron grey finish. Available in different colors: amethyst, blue, grey and green.



LIGHT SOURCES

TEMPERATURE: 3000K
LUMEN: 2700
LED: 30W

CERTIFICATIONS



TECHNICAL INFO

VOLTAGE: 120V

MATERIALS

GLASS, METAL