

734/AP

# CRONO

## FINISHES

### GLASS FINISH



ETCHED GLASS

### FABRIC FOIL SHADE FINISH



GOLD  
METALIC



BLACK  
METALIC



IRON GRAY  
METALIC

### METAL STRUCTURE FINISH

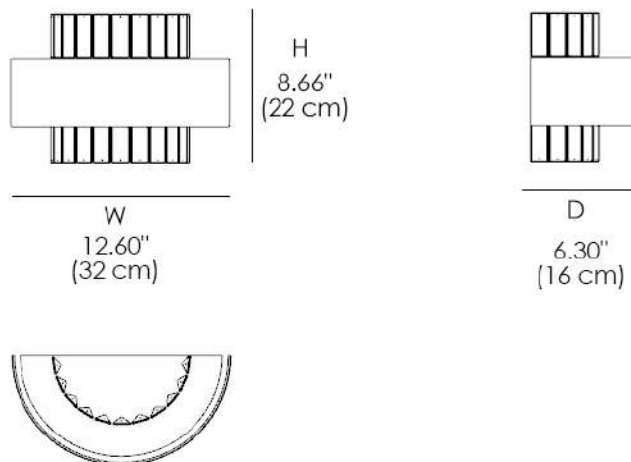


CHROME



SATIN GOLD

Wall lamp with satin gold metal structure and metallic foil shade, satin glass pendants. Available in different colors. Classic Catalogue Opera.



### LIGHT SOURCES

LED: 2X2.5W – G9 BASE

### TECHNICAL INFO

VOLTAGE: 110V

### MATERIALS

GLASS, METAL, FABRIC