

203/LP 203/LG

# CICLA

## FINISHES

### GLASS FINISH



CLEAR GLASS



FUME GLASS



WHITE GLASS

### METAL STRUCTURE FINISH

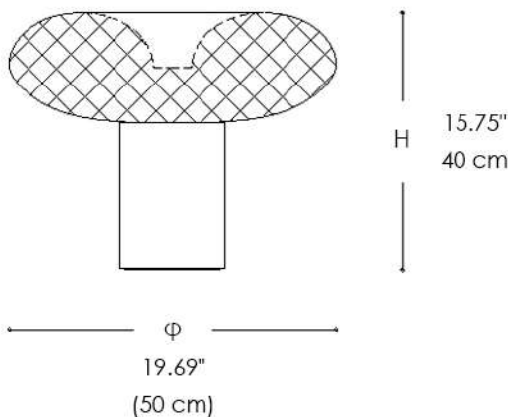


CHROME



IRON GREY

The Cicla table lamp in metal with iron grey finish and clear glass diffuser.



### LIGHT SOURCES

TEMPERATURE: 3000K

LUMEN: 2200

LED: 22W

CRI: >90

### CERTIFICATIONS

LED

### TECHNICAL INFO

VOLTAGE: 120V

DRIVER: INCLUDED

DIMMING: 0-10V

### MATERIALS

GLASS, METAL