

4026/LG

# CATERINA

## FINISHES

### GLASS FINISH



GREEN GLASS



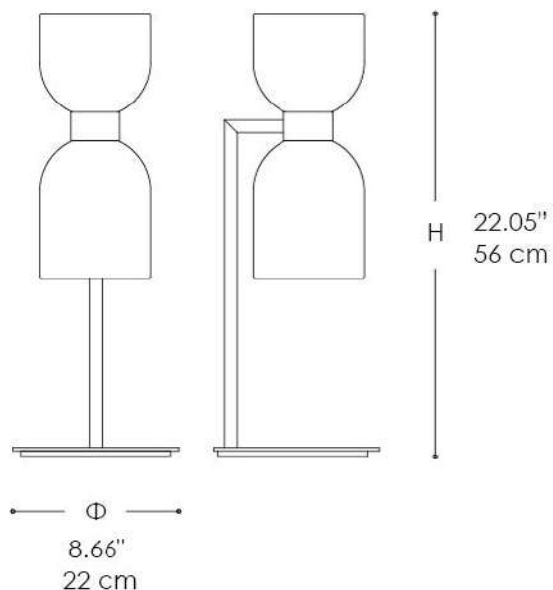
WHITE GLASS

### METAL STRUCTURE FINISH



BRUSHED GOLD

The Caterina table lamp in metal with brushed gold finish with opal white and green glass diffusers.



### LIGHT SOURCES

TEMPERATURE: 3000K  
LUMEN: 740  
LED: 6.4W  
CRI: >80

### CERTIFICATIONS



### TECHNICAL INFO

VOLTAGE: 120V  
DIMMING: TRIAC

### MATERIALS

GLASS, METAL