

683/90, 120

AIRONE

Chandelier in gold nickel metal structure with satin teak glass leaves.
Available in different dimensions and colors.



FINISHES

GLASS FINISH



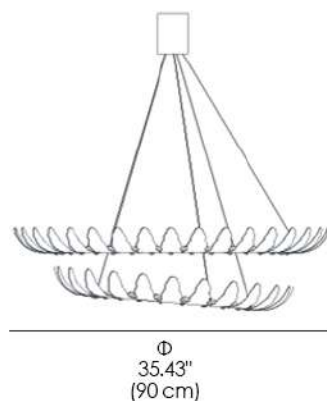
SATIN TEAK

METAL STRUCTURE FINISH

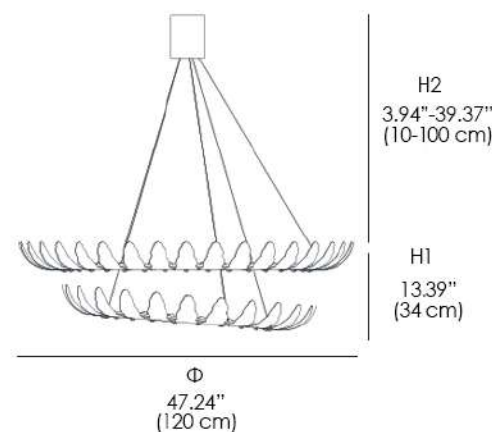


GOLD NICKEL

Airone Chandelier (683/90)



Airone Chandelier (683/120)



AIRONE CHANDELIER (683/90)

LIGHT SOURCES

LUMEN: 6900
LED: 58W

TECHNICAL INFO

VOLTAGE: 110V

MATERIALS

GLASS, METAL

AIRONE CHANDELIER (683/120)

LUMEN: 7200
LED: 113W