

705/90, 120

**705**

Pendant made of amber glass trihedrons, metal with gold finish.  
Available in different dimensions and colors. Opera Classic Collection.



**FINISHES**

**GLASS FINISH**



CLEAR



AMBER

**METAL STRUCTURE FINISH**

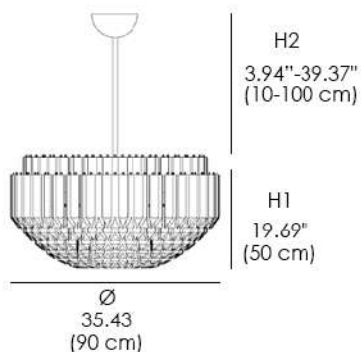


CHROME

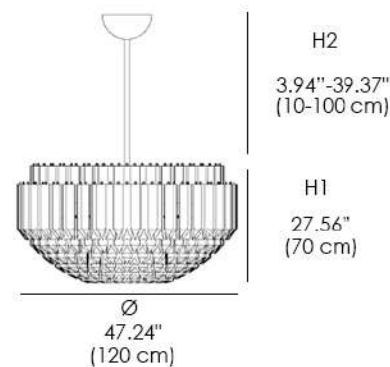


SHINY  
GOLD

**705/90 Pendant Lamp**



**705/120 Pendant Lamp**



**LIGHT SOURCES**

**705/90 PENDANT LAMP**

ECO HALOGEN: 12X46W - E27  
LED: 12X10W - E27

**705/120 PENDANT LAMP**

ECO HALOGEN: 20X46W - E27  
LED: 20X10W - E27

**CERTIFICATIONS**



**TECHNICAL INFO**

VOLTAGE: 110V

**MATERIALS**

GLASS, METAL