

239/AP1, AP2, AP3, AP5

**239**

**FINISHES**

**GLASS FINISH**



CLEAR



TEAK  
GLASS

**METAL STRUCTURE FINISH**



SHINY  
GOLD



IRON  
GREY

**PENDANTS FINISH**



SW –  
CRYSTAL

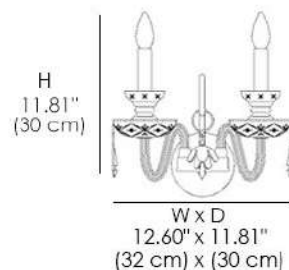


SW –  
GOLDEN TEAK

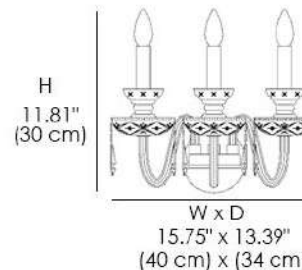
Wall lamp in carved crystal and glass, metal structure with gold finish, Swarovski Elements pendants and floral details in glass. Available in dimensional and color variants. Classic Opera Catalog.



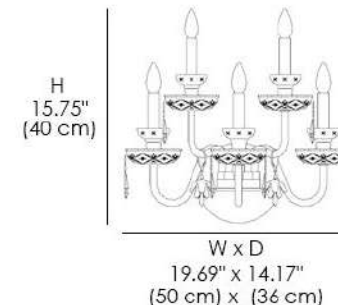
**239 Wall Lamp (239/AP2)**



**239 Wall Lamp (239/AP3)**



**239 Wall Lamp (239/AP5)**



**LIGHT SOURCES**

- 239 WALL LAMP - AP1** LED: 1X4W - E14  
ECO HALOGEN: 1X30W - E14
- 239 WALL LAMP - AP2** LED: 2X4W - E14  
ECO HALOGEN: 2X30W - E14
- 239 WALL LAMP - AP3** LED: 3X4W - E14  
ECO HALOGEN: 3X30W - E14
- 239 WALL LAMP - AP5** LED: 5X4W - E14  
ECO HALOGEN: 5X30W - E14

**CERTIFICATIONS**



**MATERIALS**

GLASS, METAL, SWAROVSKI

**TECHNICAL INFO**

VOLTAGE: 110V