

FULL STOP

FINISHES

Structure Finish - Glass



White Frosted
Clear

MATERIALS

Metal
Glass

LIGHT SOURCES

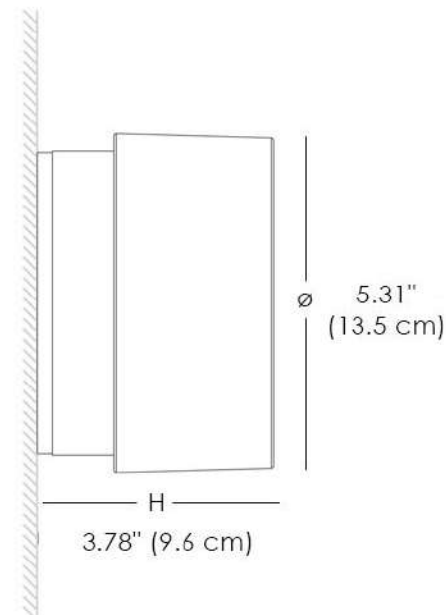
LED Chip: TBC
Wattage: 12W
Luminous Flux: 500lm
CRI: 80+
Light Temperature: 2700K/3000K/4000K

Full Stop Flushmount Wall Lamp - Full stop is a simple contemporary design for where you need a compact flush mount light. A thick pressed glass cover with etched interior covers a cast aluminium case housing an LED chip set that can be set at installation to 2700, 3000 or 4000K. It is a solid, heavy quality item built to last. The unit is suitable for wet locations and outdoors if installed on a flat surface and can be installed as either a wall lamp or ceiling mount.

This is a ETL Certified Lamp.



Available Dimensions: W x D x H



CERTIFICATION

