

BRIXTON

Brixton Wall Lamp - Brixton Wall was inspired by the Victorian railway and residential architecture of south London. Octagonal turrets that appear on the buildings were the starting point for the spot pendant, which has a strong engineered aesthetic.

This is a ETL Certified Lamp.



FINISHES

Finish - Metal



Copper



Graphite

MATERIALS

Metal

LIGHT SOURCES

LED Chip: Zigen

Wattage: 8W

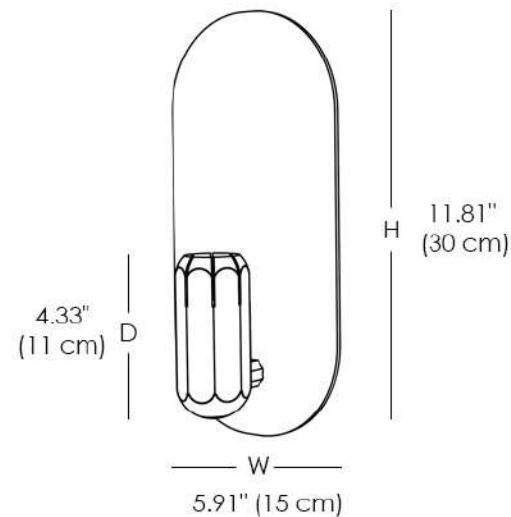
Luminous Flux: 600lm

Color Temperature: 2700K

CRI: 90

Dimming: Phase Dimming

Available Dimensions: W x D x H



CERTIFICATION

