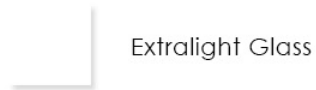


WIREFRAME

Design Piero Lissoni

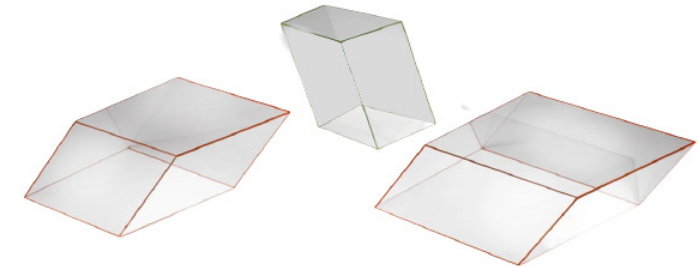
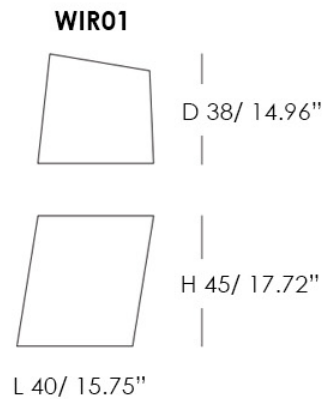
FINISHES



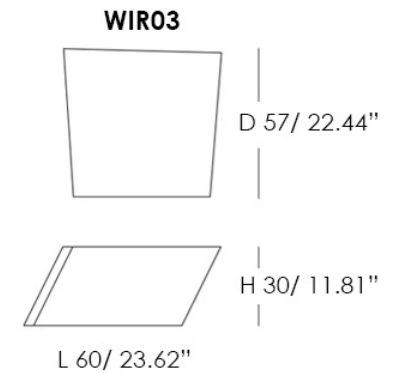
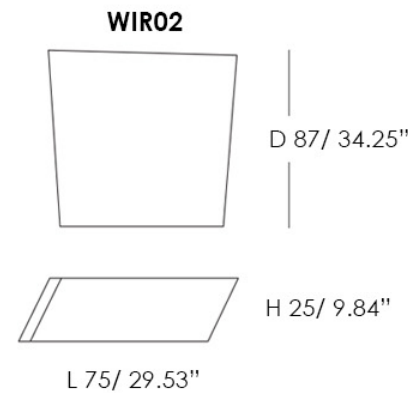
Glossy Lacquered Glass

- | | | | | |
|--------------|-------------|------------------|----------------|-----------|
| | | | | |
| 35 Antracite | 36 Iron | 37 Hazelnut | 38 Cement | 39 Cream |
| | | | | |
| 40 White | 41 Beige | 42 Pearl | 43 Taupe | 44 Gray |
| | | | | |
| 45 Coffee | 46 Black | 47 Mimetic Green | 48 Apple Green | 49 Yellow |
| | | | | |
| 50 Orange | 51 Fire Red | 52 Brick Red | 53 Purple | 54 Blue |

Wireframe - A series of twisted and irregular, parallelepiped shaped low tables, obtained by gluing tempered transparent extralight glass slabs, whose edges have grinding angles with each of their inclinations completely different from the other ones.



Available Dimensions: L x D x H



MATERIALS
- Glass