

SUBLIMAZIONE

Design Ron Gilad

FINISHES

Glass Finish



Top Finish



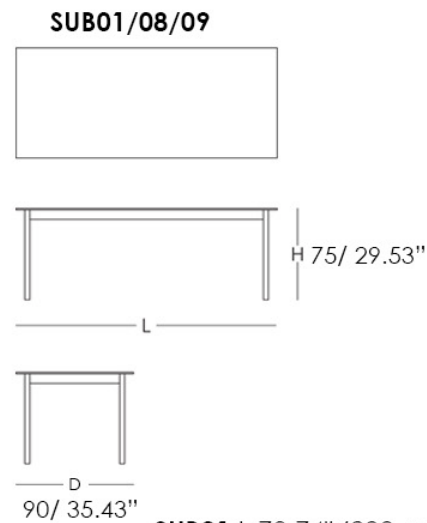
Wood Finish



MATERIALS

- Glass
- Wood

Sublimazione - High table in laminated and glued glass. Through a special printing process, the walnut essence is reproduced by transparency onto the glass, so that a refined and experimental fusion between two such different materials is obtained. The wood, supported and absorbed in the extralight glass, transcends its inherent material source becoming a sublimation and ethereal emblem. Available in the finishes clear or dark walnut, and in transparent extralight glass (with tempered top).



- SUB01** L 78.74" (200 cm)
- SUB08** L 70.87" (180 cm)
- SUB01** L 90.55" (230 cm)



Available Dimensions: L x D x H

