

STARLIGHT

Starlight - Mirror enclosed by a precious frame made from moulded and silvered glass profiles joined at 45°. To emphasize the brightness and value of the frame, the mirror is positioned a few centimeters from the wall. The rectangular mirror can be hung vertically or horizontally.

Design Tokujin Yoshioka

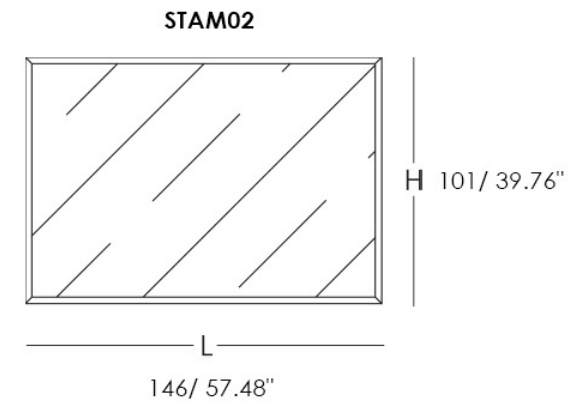
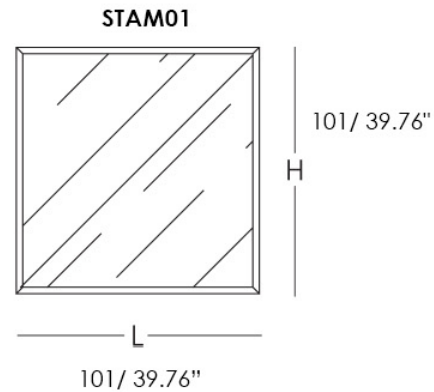
FINISHES



Mirror

MATERIALS

- Mirror
- Glass



Available Dimensions: L x D X H
Depth: 7/ 2.75"