


SPACE

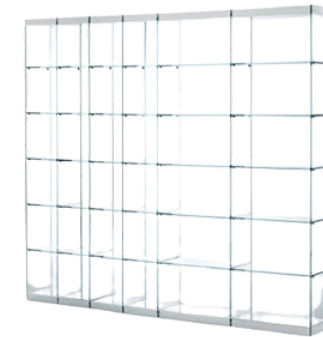
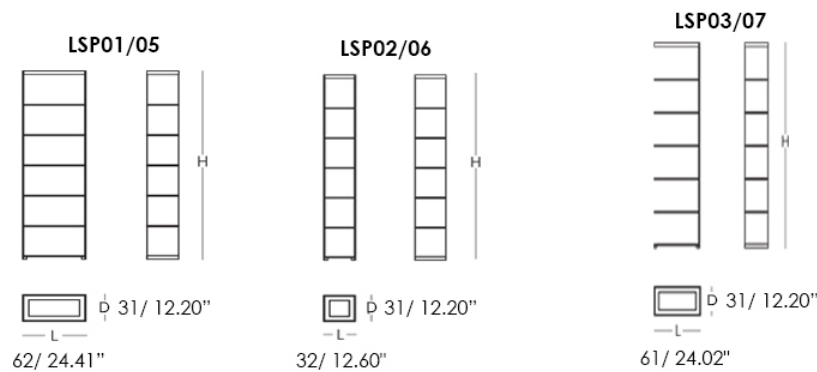
Space - Composable single or double faced bookcase with modules of various widths and depths in tempered mm. 10 thick glass. The sides and the glass plates are in transparent extralight. The base and the top are in glossy lacquered glass. The back is available in transparent extralight or glossy lacquered glass.

Design Ennio Arosio

FINISHES

Back Finish

-  Extralight Glass
- Glossy Lacquered Glass



Available Dimensions: L x D x H

MATERIALS

- Glass

