

PLISSÉ

Design Mario Bellini

FINISHES

Glass Finish



Extralight Glass

Rack Element V - Shaped Finish



Red



Blue

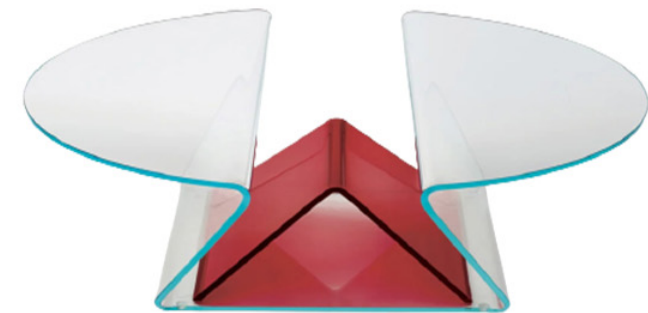
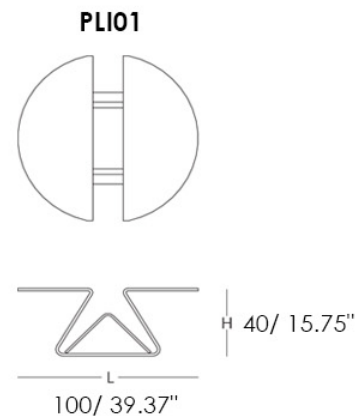


Green

MATERIALS

- Glass

Plissé - Extremely functional low table with a light aspect and soft and gentle shapes in 12 mm extralight glass, shaped and curved thanks to a complex process of glass bending, obtaining two cantilevered tops separated by a practical compartment where objects can be stored. Positioned in the centre is a functional magazine rack element made of curved glass with a reversed-V shape, available in the transparent colors ruby red, blue, emerald green or transparent extralight.



Available Dimensions: L x D x H