

## HUB GLASS TABLE

**Hub Glass Table** - Series of high tables with round shape. The top in tempered glass 12 mm. thick is supported by a base composed of a hollow cylinder in transparent borosilicate glass and a foot in glass 12 mm. thick provided with ballast. The top and the foot are available in lacquered or opaque satin glass.

Design Piero Lissoni

### FINISHES

#### Hollow Cylinder

- Transparent Borosilicate Glass

#### Table Top & Foot Finish

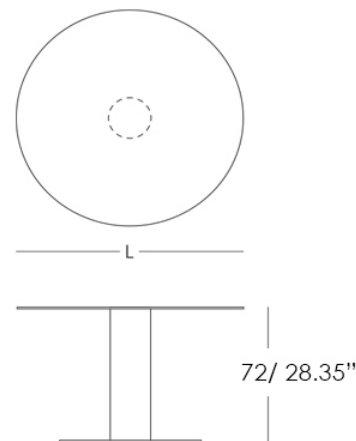
- Glossy Lacquered Glass
- Opaque Lacquered Glass

### MATERIALS

- Glass



**HUB02/03/04/10/12**



#### Available Dimensions: Ø x H

**HUB02** - 55.12" x 28.35" (140 x 72 cm)

**HUB03** - 59.06" x 28.35" (150 x 72 cm)

**HUB04** - 62.99" x 28.35" (160 x 72 cm)

**HUB10** - 66.92" x 28.35" (170 x 72 cm)

**HUB12** - 70.86" x 28.35" (180 x 72 cm)