

## HUB BISTRO

Design Piero Lissoni

### FINISHES

#### Hollow Cylinder

- Transparent Borosilicate Glass

#### Table Top & Foot Finish

- Glossy Lacquered Glass
- Opaque Lacquered Glass
- Transparent Extralight Glass

### MATERIALS

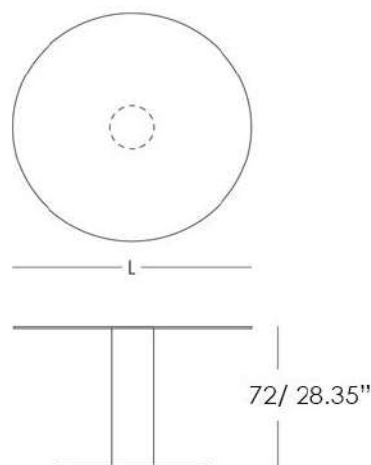
- Glass

**Hub Bistro** - Series of high tables with round shape. The top in tempered glass 12 mm. thick is supported by a base composed of a hollow cylinder in transparent borosilicate glass and a foot in glass 12 mm. thick provided with ballast.

The top and the foot are available in lacquered or opaque satin glass.



**HUB07/08/09**



### Available Dimensions: Ø x H

**HUB07** - 31.50" x 28.35" (80 x 72 cm)

**HUB08** - 35.43" x 28.35" (90 x 72 cm)

**HUB09** - 39.37" x 28.35" (100 x 72 cm)