

## FOUNTAIN



Design Tokujin Yoshioka

**Fountain** - A precious and poetic round low tables with Murano poured glass bases, hand shaped and chiseled by highly-tuned processing techniques.

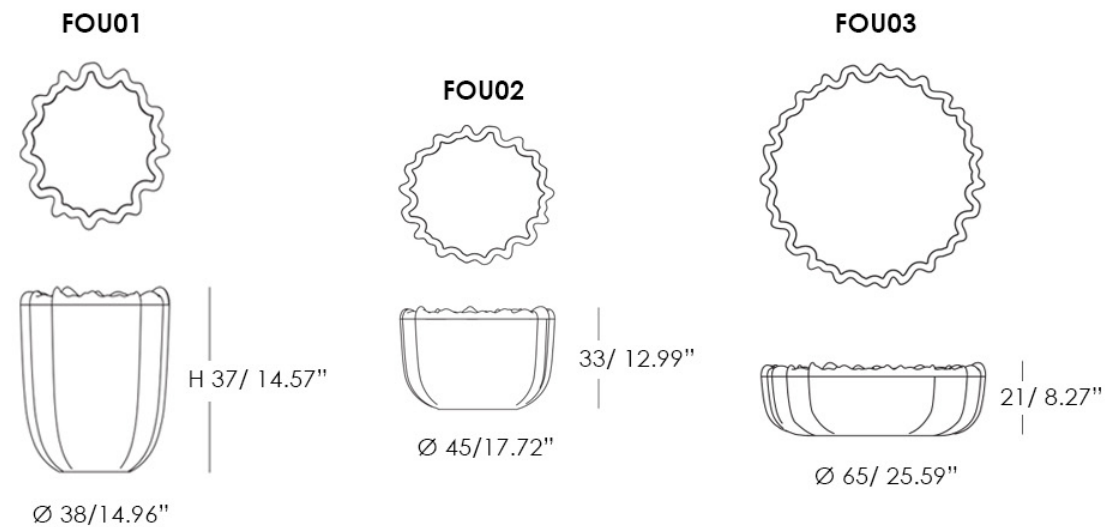
### FINISHES

- Murano Poured Glass

### MATERIALS

- Glass

Available Dimensions: Ø x H



Fountain Coffee Table By Tokujin Yoshioka