

Studio Balutto

Sienna Armchair

2016

FINISHES

Legs Finish - Ash Wood



Wood Black
Ash

Seat & Backrest Finish

Available in:
- Faux Leather
- Leather
- Fabrics

Faux Leather are available in:

- Nuance Collection
- Valencia Collection

Leather are available in:

- Nuance Collection
- Elmo Soft Collection

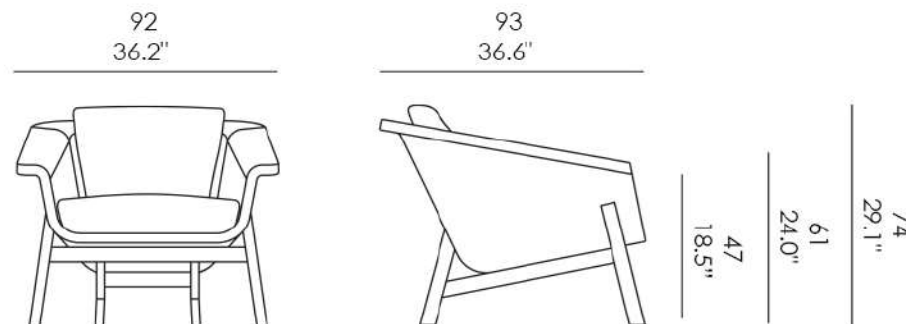
Fabrics are available in:

- Nuance Collection

Sienna is a comfortable and enveloping armchair. The wooden support takes up the Swedish seventies lines. Available in a single color and a two-color upholstery versions.



An essential and versatile style, suitable for the most elegant and refined environments, up to the most contemporary, modern and original ones.



MATERIALS

- Faux Leather, Fabric
- Leather