

Ludovica + Roberto Palomba

## Miles 90 Sectional Sofas

2019

### FINISHES

Upholstery Finish

- Available in:
- Faux Leather
  - Leather
  - Fabrics

Faux Leather are available in:

- Nuance Collection
- Valencia Collection

Leather are available in:

- Nuance Collection
- Elmo Soft Collection

Fabrics are available in:

- Nuance Collection

### Structure Finish - Aluminium



Black Painted  
RAL 7021



Bronze Painted  
Aluminium



Gold Stained  
Aluminium

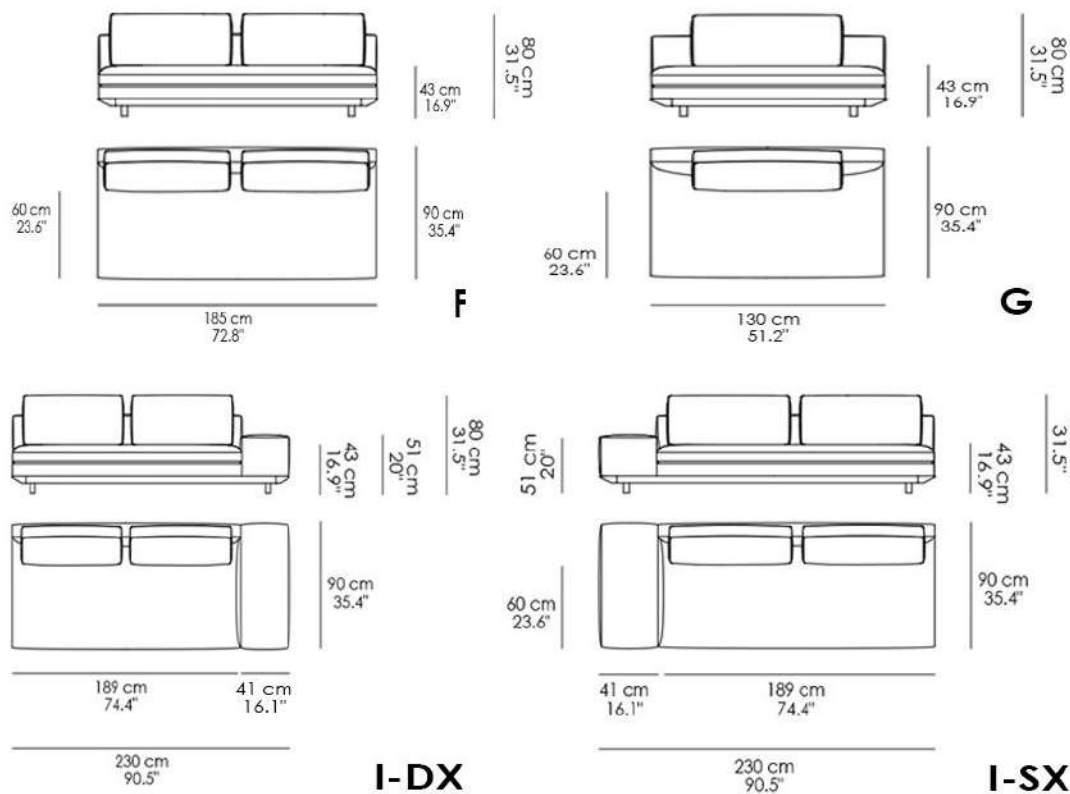


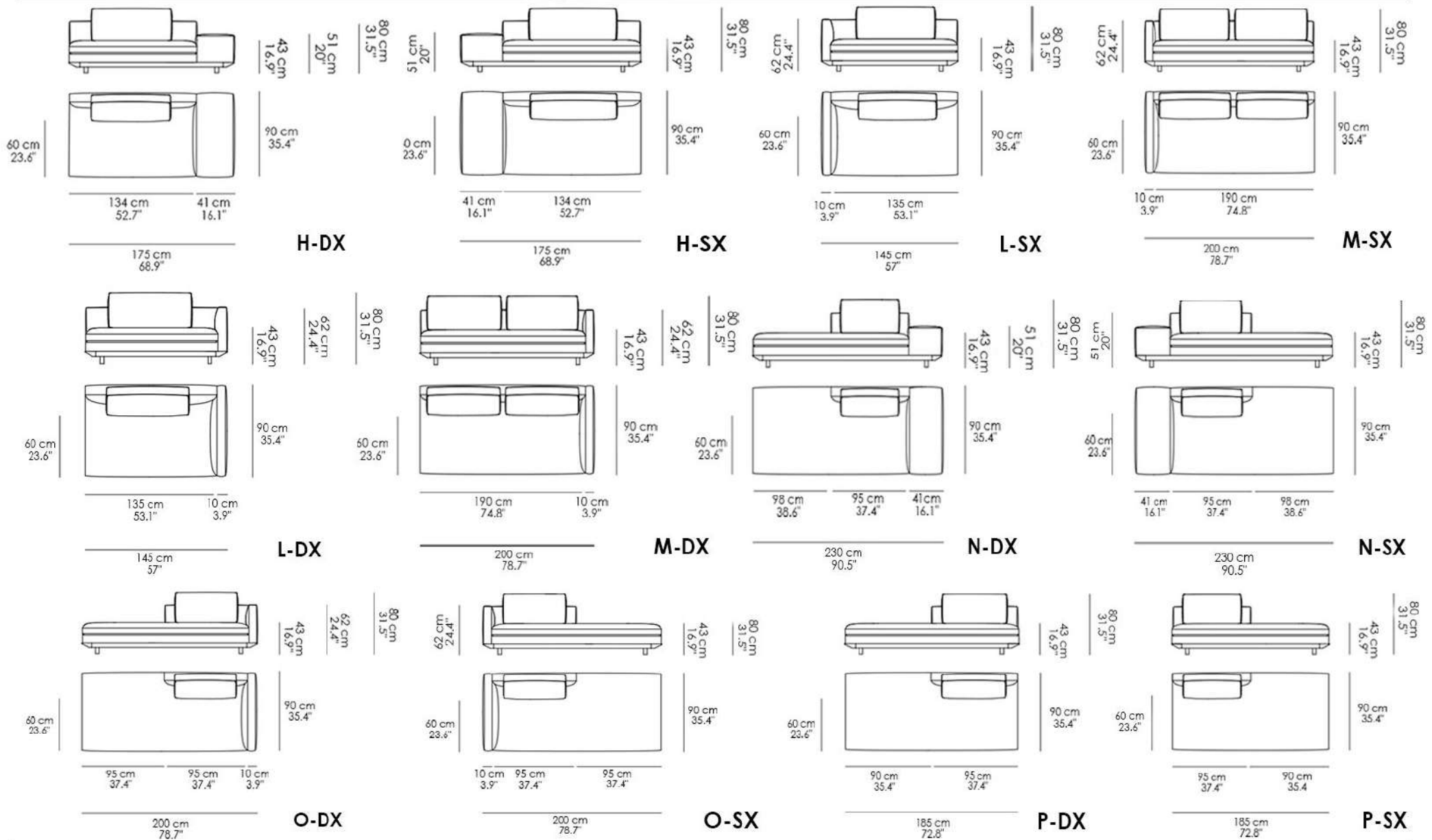
Polished  
Aluminium

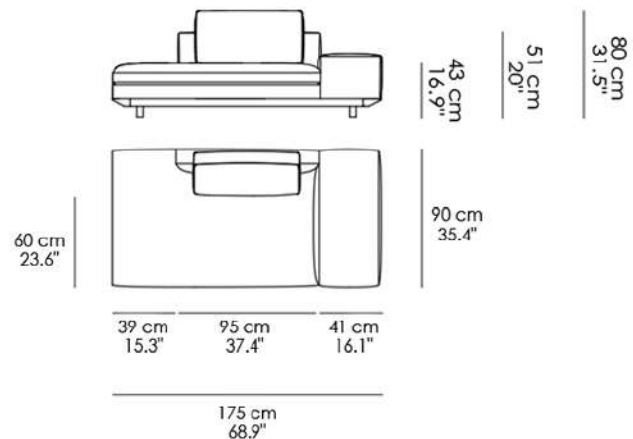
### MATERIALS

- Fabric
- Leather
- Metal

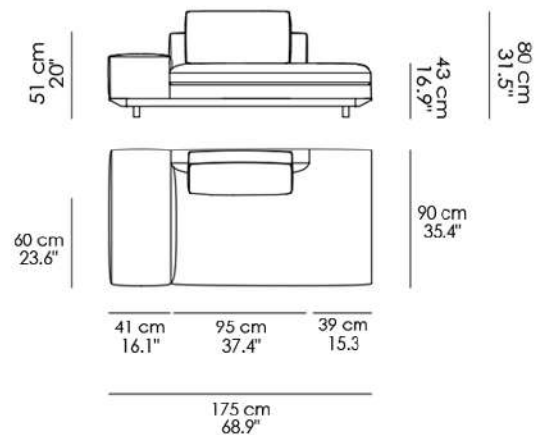
Miles is one of the five families of the sectional sofa collection designed by Ludovica+Roberto Palomba. The aluminum frame (Horm patent), light and ecological, on which all the padded elements are inserted, is the distinctive feature and the common denominator of the collection, expression of the high tailoring craftsmanship of Made in Italy. The various types of seat and padding at different heights of bearing capacity are designed to ensure maximum comfort.



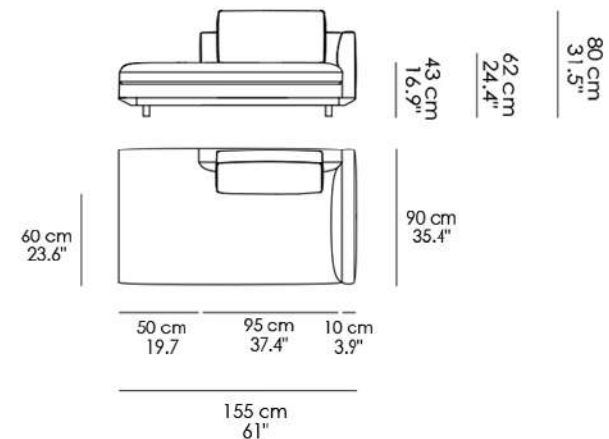




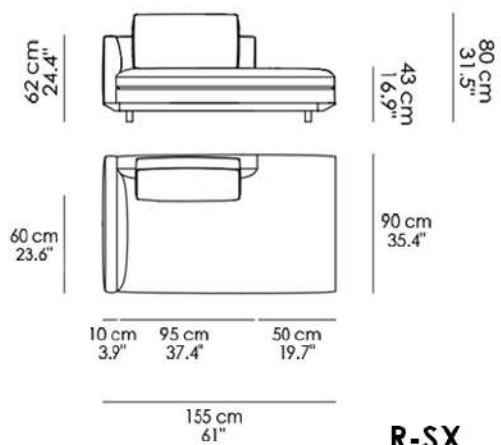
**Q-DX**



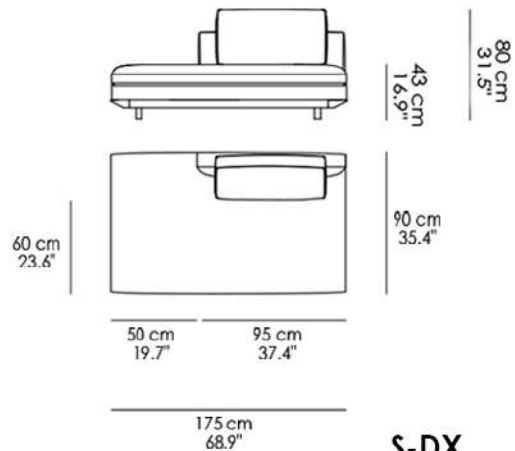
**Q-SX**



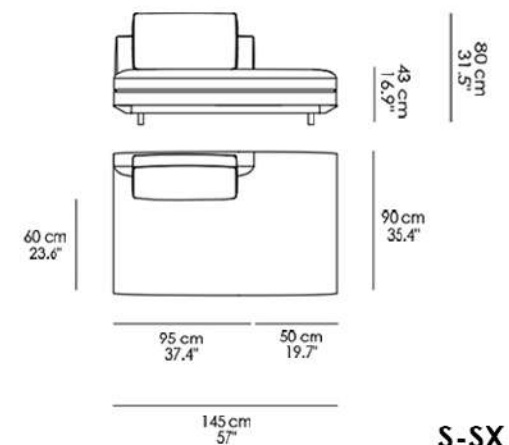
**R-DX**



**R-SX**



**S-DX**



**S-SX**