

Ludovica + Roberto Palomba

Miles 105 Sectional Sofas

2019

FINISHES

Upholstery Finish

- Available in:
- Faux Leather
 - Leather
 - Fabrics

Faux Leather are available in:

- Nuance Collection
- Valencia Collection

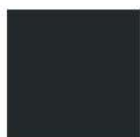
Leather are available in:

- Nuance Collection
- Elmo Soft Collection

Fabrics are available in:

- Nuance Collection

Structure Finish - Aluminium



Black Painted
RAL 7021



Bronze Painted
Aluminium



Gold Stained
Aluminium

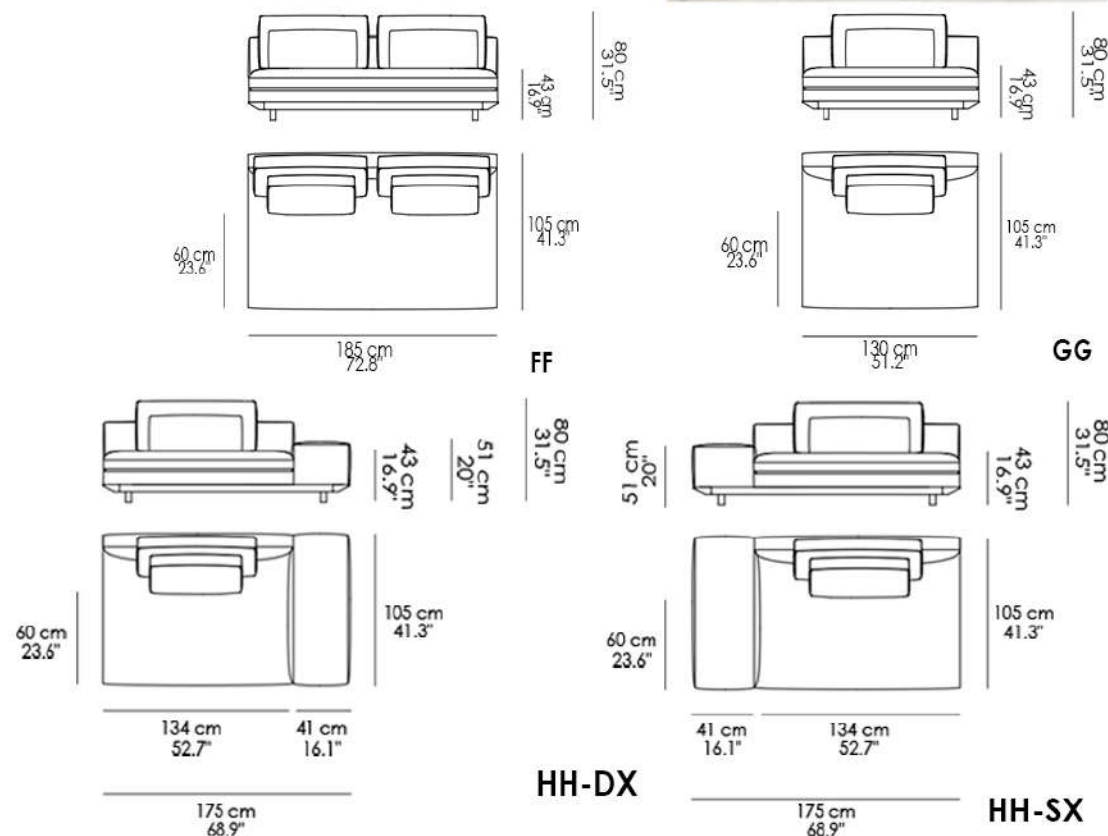


Polished
Aluminium

MATERIALS

- Fabric
- Leather
- Metal

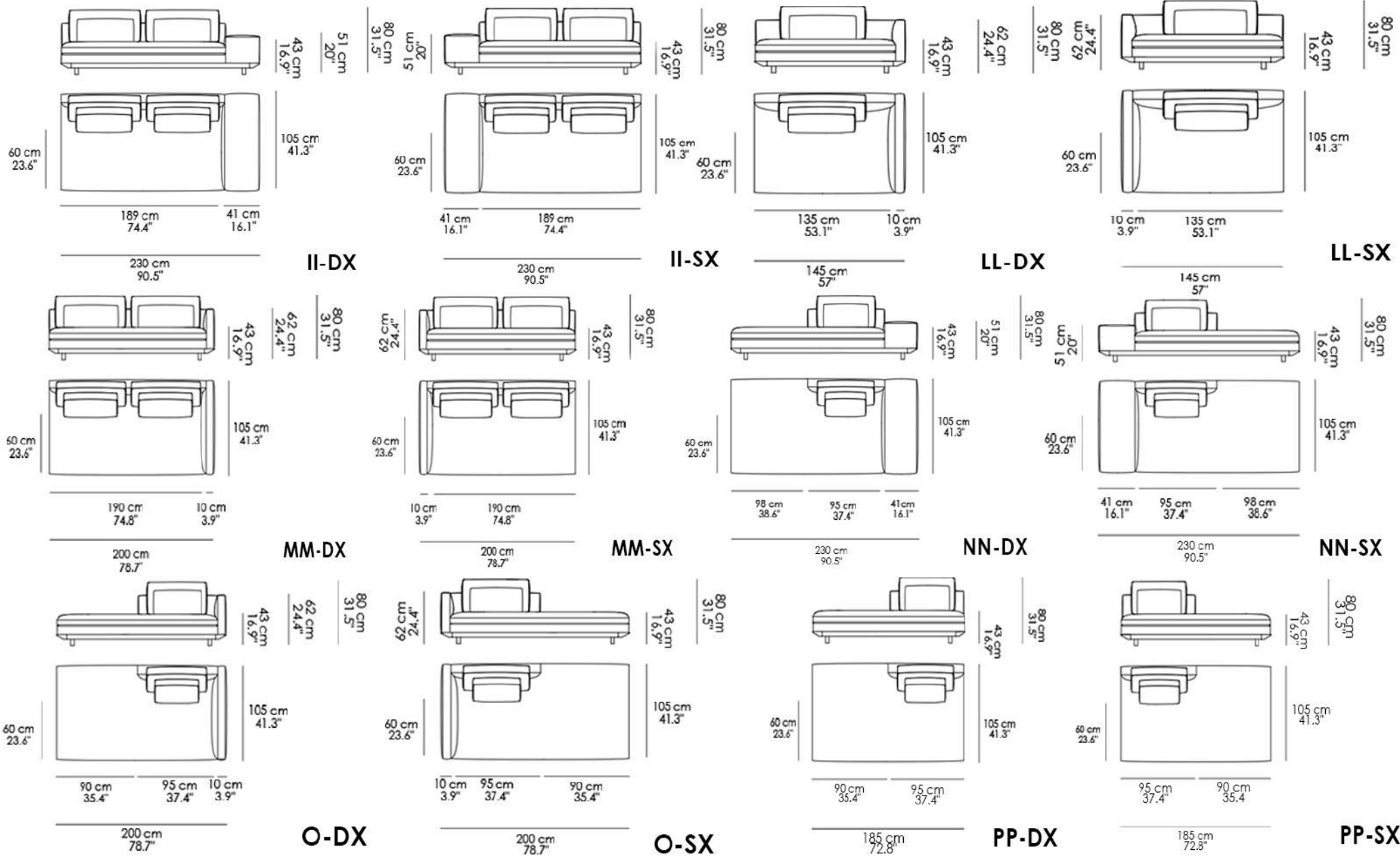
Miles is one of the five families of the sectional sofa collection designed by Ludovica+Roberto Palomba. The aluminum frame (Horm patent), light and ecological, on which all the padded elements are inserted, is the distinctive feature and the common denominator of the collection, expression of the high tailoring craftsmanship of Made in Italy. The various types of seat and padding at different heights of bearing capacity are designed to ensure maximum comfort.



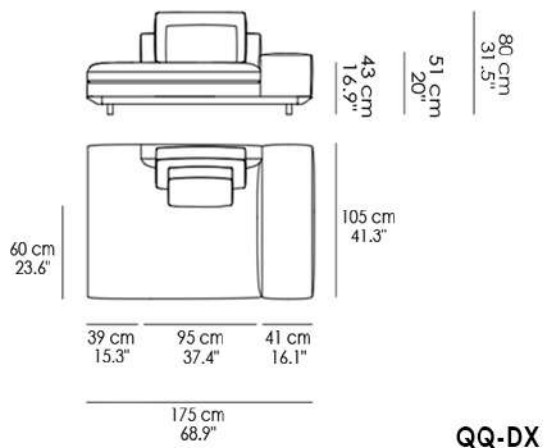
STUDIO VERTICALE

see beauty everywhere

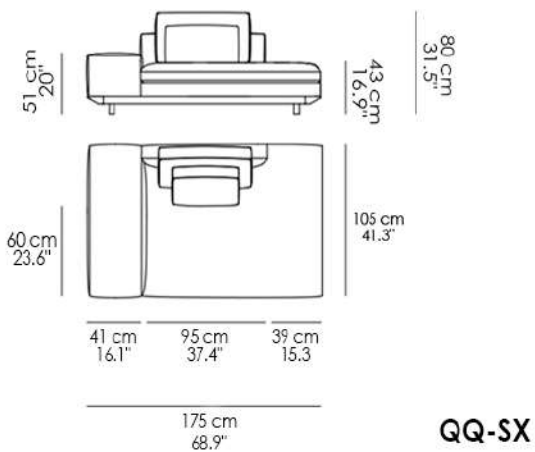
HORM  CASAMANIA



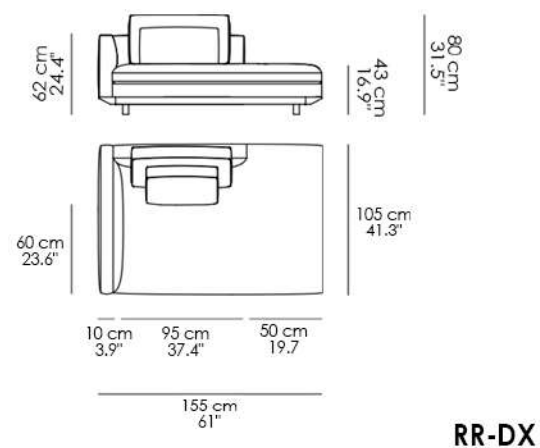
Miles 105 Sectional Sofas by Ludovica + Roberto Palamba



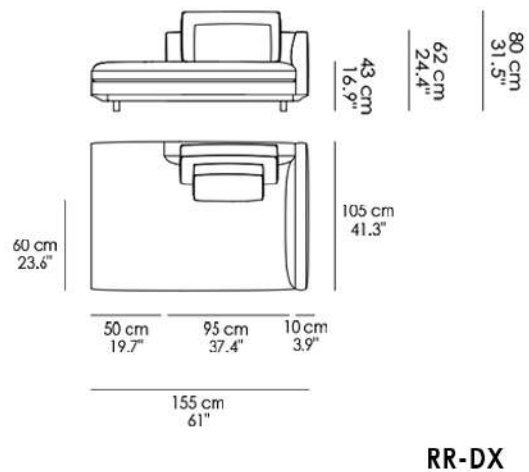
QQ-DX



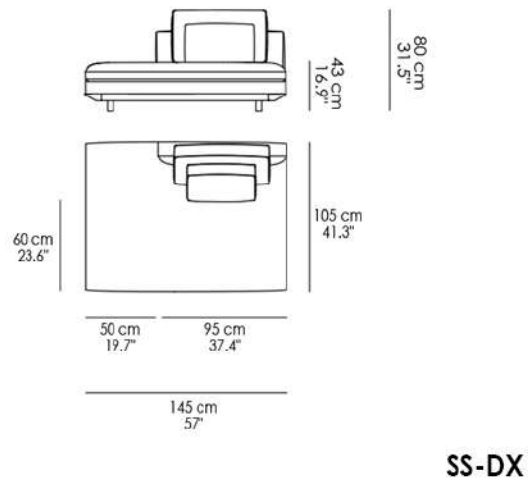
QQ-SX



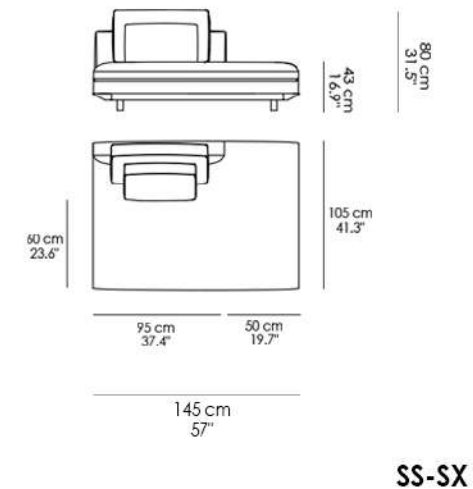
RR-DX



RR-DX



SS-DX



SS-SX