

Ludovica + Roberto Palomba

## Ella Sectional Sofas

2022

### FINISHES

Upholstery Finish

- Available in:
- Faux Leather
  - Leather
  - Fabrics

Faux Leather are available in:

- Nuance Collection
- Valencia Collection

Leather are available in:

- Nuance Collection
- Elmo Soft Collection

Fabrics are available in:

- Nuance Collection

### Structure Finish



Brick Red Painted Aluminium



Bronze Painted Aluminium

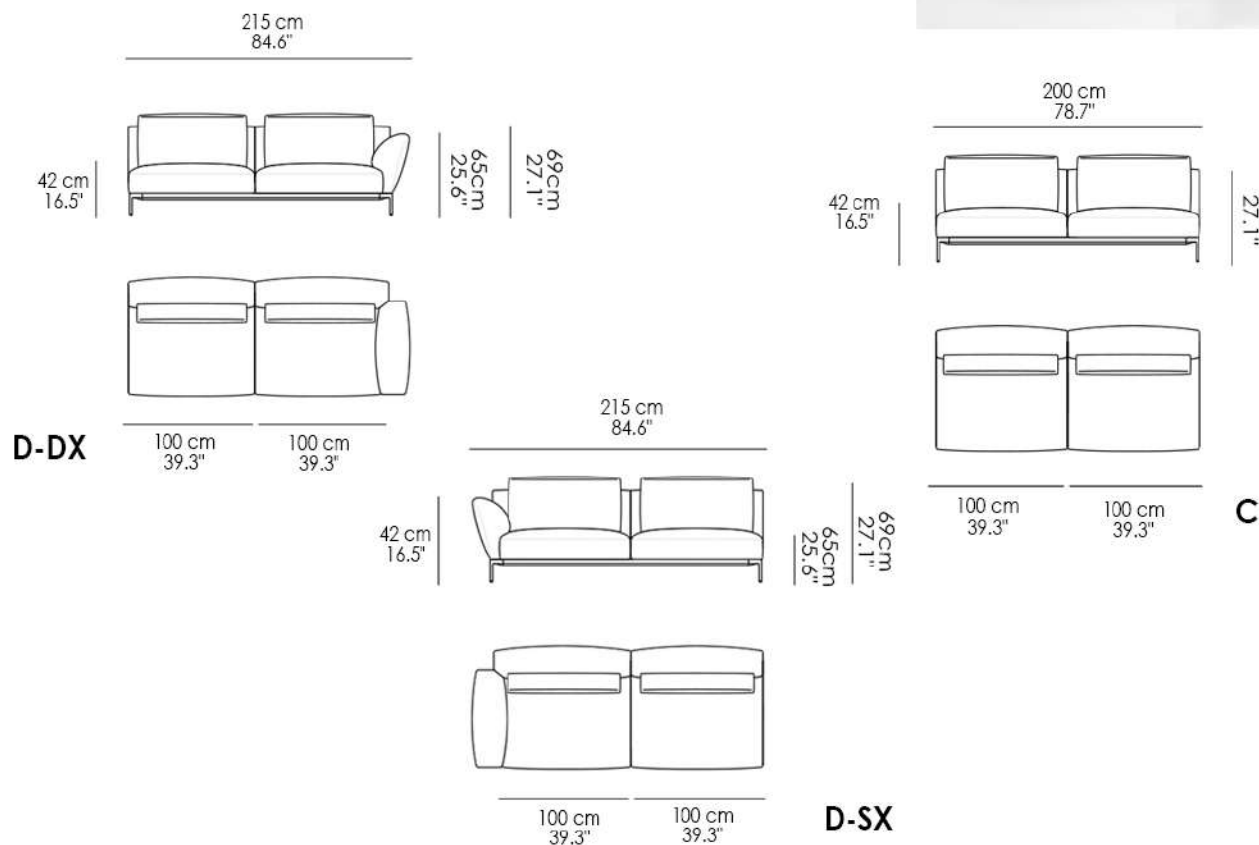


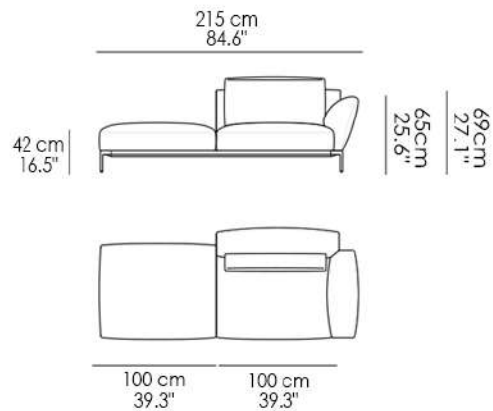
Bronze Painted Aluminium

### MATERIALS

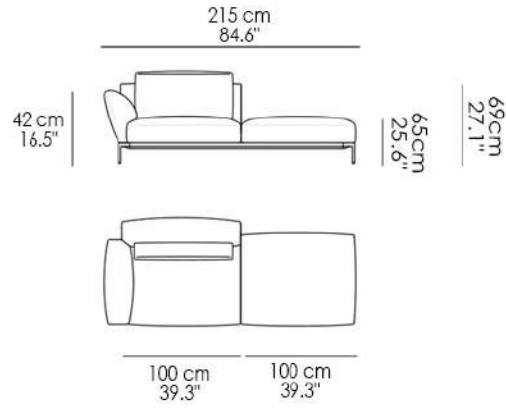
- Fabric
- Leather
- Metal

Conceived as a comfortable lounge piece, Ella is a modular sofa with a strong scenic presence, with soft, curvy and sensual shapes, extremely feminine. Like the other sofas designed by PS+A for Horm, Ella draws inspiration from the great jazz masters. In this case the muse is Ella Fitzgerald and her natural ability to combine refinement and power, but also an elegant connotation and bursting femininity at the same time.

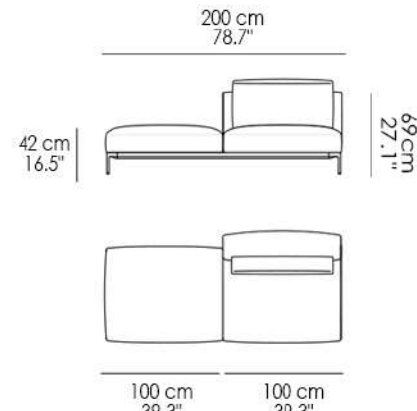




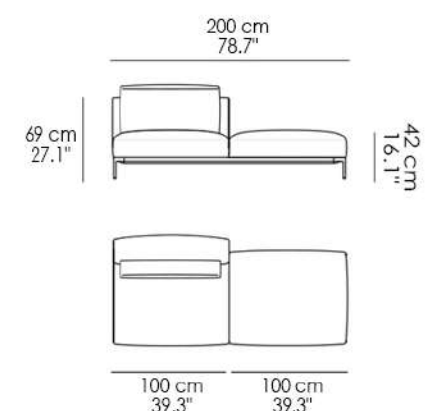
**E-DX**



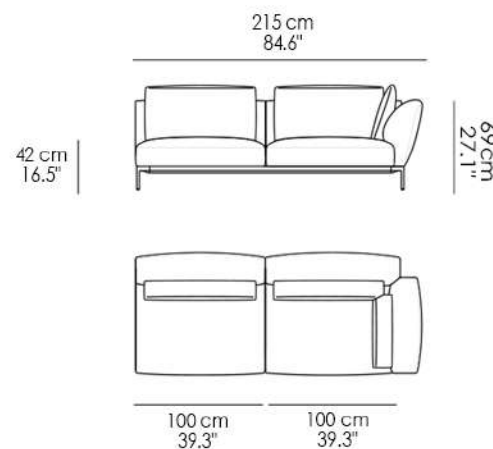
**E-SX**



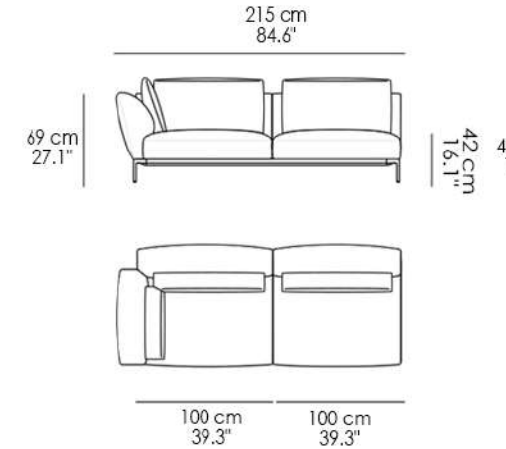
**F-DX**



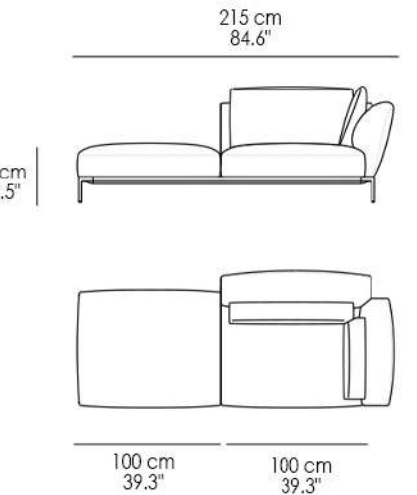
**F-SX**



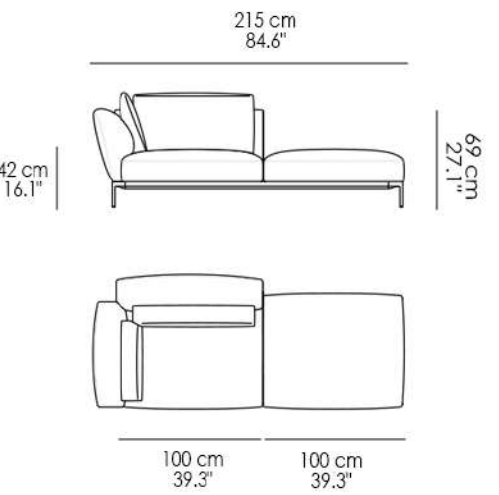
**L-DX**



**L-SX**



**M-DX**



**M-SX**