

## Speers W Wall Lamp

Designer - David Abad

### FINISHES

Exterior Finish - Metal



Matte White



Matte Black

Interior Finish - Metal



Satin Brass



Satin Copper

### LIGHT SOURCES

LED: 9W

Luminaire flux: 1100lm

Milliampere: 500mA

Color temperature: 2700K

CRI: ≥90

Voltage: 110V

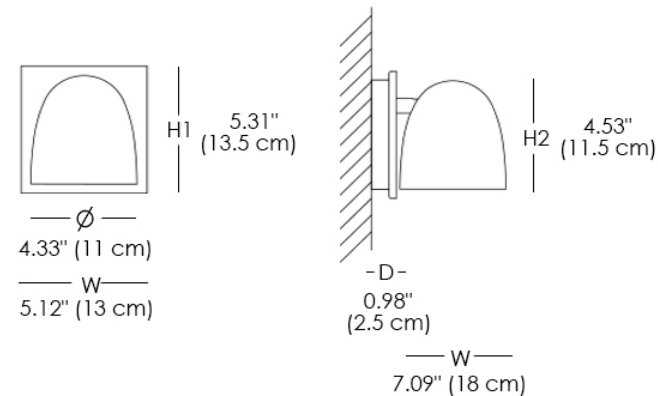
### MATERIALS

- Metal
- Glass

### CERTIFICATIONS



Speers W



Wall lamp equipped with a high-luminance LED, featuring a glass lens to focus the light and improve performance. Available in two finishes: Textured white matte outer finish with a satin brass interior, or textured black matte exterior finish with satin copper interior.

This is a UL Certified Lamp.