

## Speers S3 Suspended Lamp

Designer - David Abad

FINISHES

Lamp Shade Finish - Metal



White Brass



Copper White



Black Brass



Black Copper



Brass



Copper

### LIGHT SOURCES

LED: 9W  
Luminaire flux: 1100lm  
Milliampere: 500mA  
Color temperature: 2700K  
CRI: ≥90  
Voltage: 110V

### MATERIALS

- Metal  
- Glass

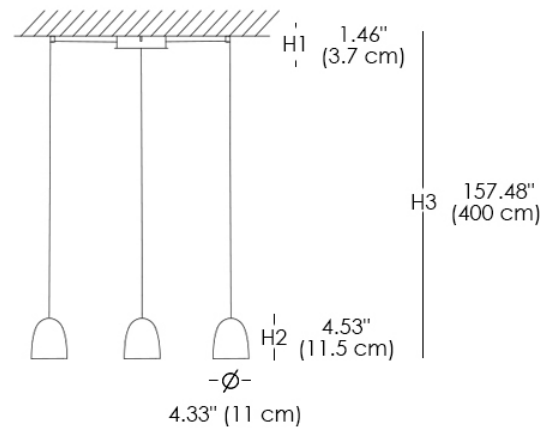
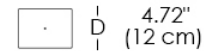
### CERTIFICATIONS



### Speers S3

7.09" (18 cm)

- W -



Suspension lamp system crafted in copper or brass. Features a high-luminance LED light source. It includes a glass lens that focuses the light and enhances its luminous efficiency. An optional opal diffuser provides dispersed lighting. This is a UL Certified Lamp.