

Speers S2 Suspended Lamp

Designer - David Abad

FINISHES

Lamp Shade Finish - Metal



White Brass



Copper White



Black Brass



Black Copper



Brass



Copper

Wire Hook Finish - Metal



Brass



Copper



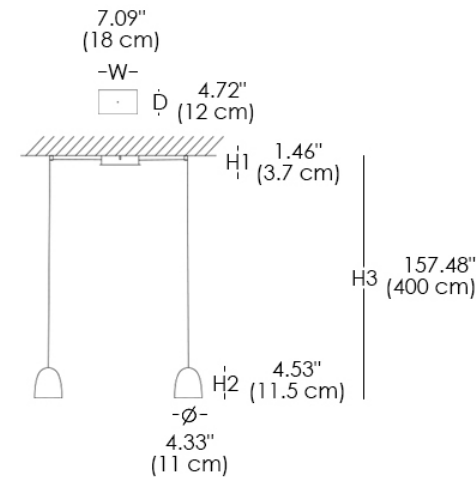
Matte Black



Matte White



Speers S2



LIGHT SOURCES

LED: 9W
Luminaire flux: 1100lm
Milliampere: 500mA
Color temperature: 2700K
CRI: ≥90
Voltage: 110V

MATERIALS

- Metal
- Glass

CERTIFICATIONS



Suspension lamp system crafted in copper or brass. Features a high-luminance LED light source.

This is a UL Certified Lamp.