

Speers S1 M/L Suspended Lamp

Designer - David Abad

FINISHES

Lamp Shade Finish - Metal



Matte Black

Matte White

Wire Hook Finish - Metal



Matte Black

Matte White

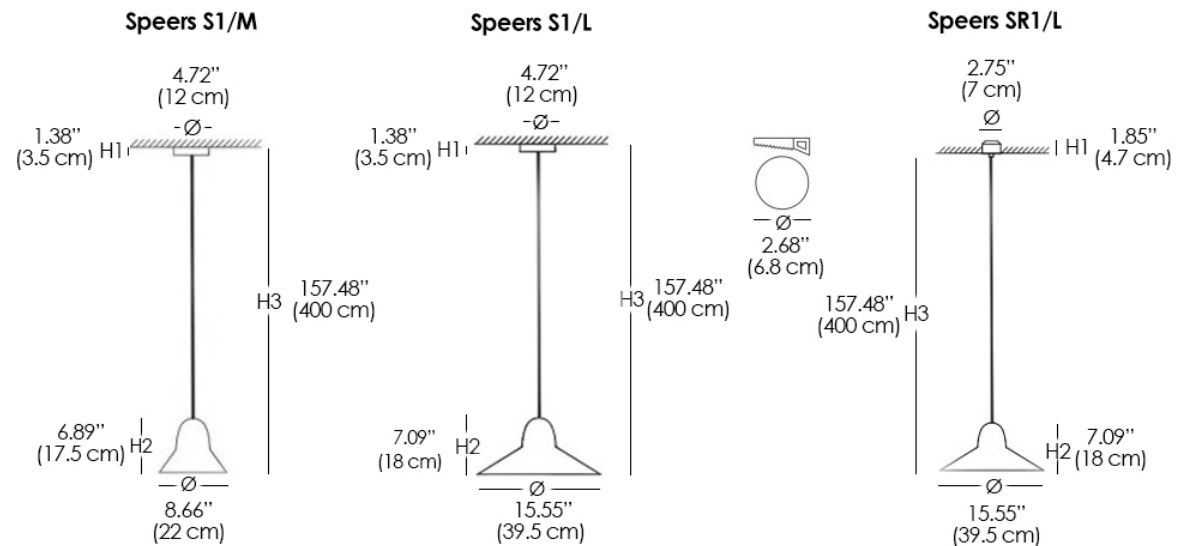
MATERIALS

- Metal
- Glass

LIGHT SOURCES

- LED: 9W
- Luminaire flux: 1100lm
- Milliampere: 500mA
- Color temperature: 2700K
- CRI: ≥90
- Voltage: 110V

CERTIFICATIONS



Suspension lamp system available with different sizes of shade. The S shade is made in copper or brass and available in solid copper or brass finishes, both with a shiny exterior and a satin interior.

This is a UL Certified Lamp.

Speers S1 M/L Suspended Lamp By David Abad