

## Slim Skin SH700 Suspended Lamp

Designer - AIA Salazar-Navarro

### FINISHES

Mesh Finish - Metal



Matte Black



Matte Brass

Lamp Finish - Glass



Opal White



Ribbed

### LIGHT SOURCES

LED: 21W

Luminaire flux: 3975lm

Milliampere: 500mA

Color temperature: 2700K

CRI:  $\geq 90$

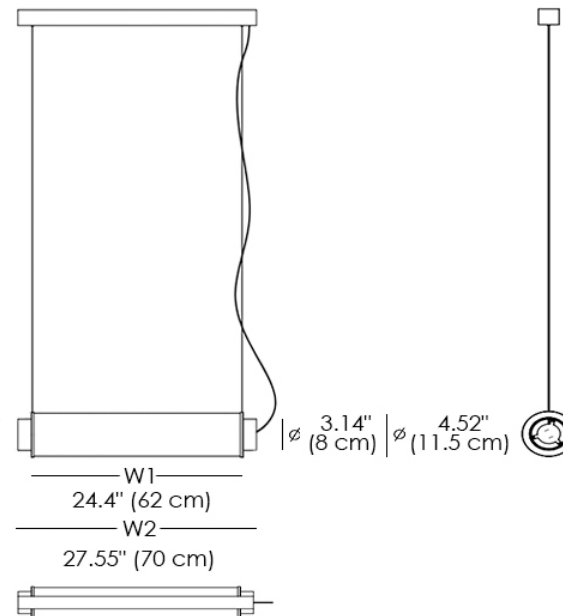
Voltage: 110V

### MATERIALS

- Metal
- Glass



Slim Skin SH700



The Slim Skin collection consists of a horizontal suspension. It has a diameter of 4.5" and is available in length: 29.5". Slim Skin is composed of a glass cylinder (available in opal white or ribbed clear glass) coated with a metal mesh in brass or black finish. The metal mesh creates a moiré effect which avoids any glare and provides great visual comfort.