

Slim Skin SH1400 Suspended Lamp

Designer - AIA Salazar-Navarro

FINISHES

Mesh Finish - Metal



Matte Black



Matte Brass

Lamp Finish - Glass



Opal White



Ribbed

LIGHT SOURCES

LED: 42W

Luminaire flux: 7950lm

Milliampere: 1050mA

Color temperature: 2700K

CRI: ≥90

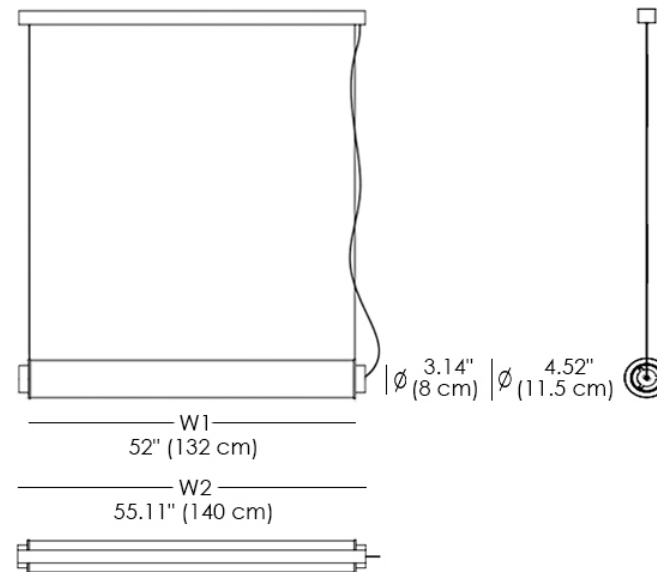
Voltage: 110V

MATERIALS

- Metal
- Glass



Slim Skin SH1400



The Slim Skin collection consists of a horizontal suspension. It has a diameter of 4.5" and is available in lengths of 55.11". Slim Skin is composed of a glass cylinder (available in opal white or ribbed clear glass) coated with a metal mesh in brass or black finish. The metal mesh creates a moiré effect which avoids any glare and provides great visual comfort.