

Skin SC160 Vertical Suspension Lamp

Designer - AIA Salazar-Navarro

FINISHES

Lamp Finish - Plastic



Opal White

Mesh Finish - Metal



Satin Bronze



Steel

LIGHT SOURCES

LED: 2 x 51W

Luminaire flux: 17760lm

Milliampere: 450mA

CRI: ≥90

Temperature: 3000K

Voltage: 110V

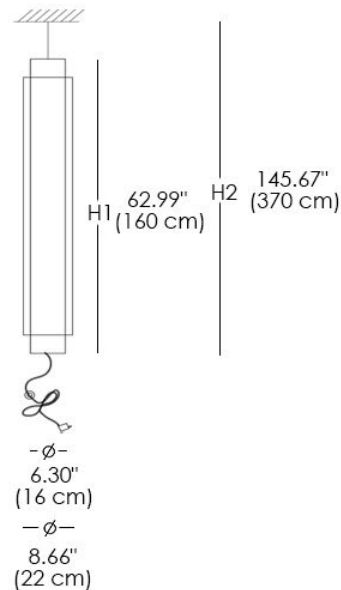
CERTIFICATIONS



MATERIALS

- Metal
- Plastic

Skin SC160



Vertical suspension lamp (SC) made out of opal white polymethacrylate, coated in a stainless steel, cylindrical metal mesh, lacquered in steel or satin bronze finishes. Plug-in version available with a connector, with 2.5 m of cable. This is a UL Certified lamp.