

Skin SC130 Suspended Lamp

Designer - AIA Salazar-Navarro

FINISHES

Finish - Plastic



Opal White

Lacquered Finish - Metal



Satin Bronze



Steel

LIGHT SOURCES

LED: 2 x 40.5W

Luminaire flux: 14224lm

Milliampere: 450mA

CRI: ≥90

Temperature: 3000K

Voltage: 110V

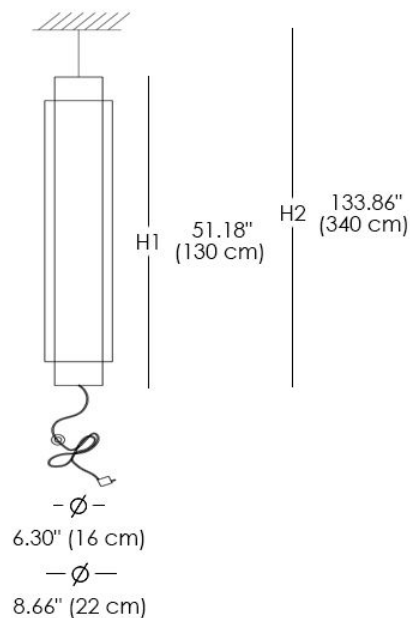
CERTIFICATIONS



MATERIALS

- Metal
- Plastic

Skin SC130



Vertical suspension lamp (SC) made out of opal white polymethacrylate, coated in a stainless steel, cylindrical metal mesh, lacquered in steel or satin bronze finishes. Plug-in version available with a connector, with 2.5 m of cable. This is a UL Certified lamp.