

## Skin S70 Steel Suspended Lamp (Quick Ship)

Designer - AIA Salazar-Navarro

### FINISHES

Lamp Finish - Plastic



Opal White

Mesh Finish - Metal



Steel

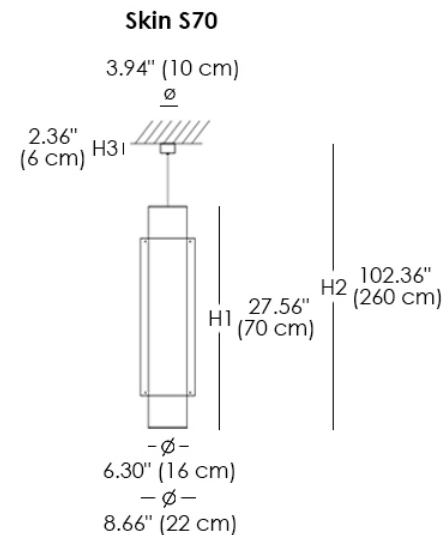
### LIGHT SOURCES

LED: 2 X 20.5W  
LUMINAIRE FLUX: 7080LM  
MILLIAMPERE: 450MA  
CRI: ≥90  
TEMPERATURE: 3000K  
VOLTAGE: 110V

### MATERIALS

- Metal  
- Plastic

### CERTIFICATIONS



Suspension lamp (S) made out of opal white polymethacrylate, coated in a stainless steel, cylindrical metal mesh, lacquered in steel finish.

This is a UL Certified Lamp