

## Scout S40 Suspended Lamp

Designer - Stone Designs

FINISHES

Lamp Finish - Metal



Cable Finish - Fabric



Inside Finish - Metal



MATERIALS

- Metal
- Glass
- Fabric



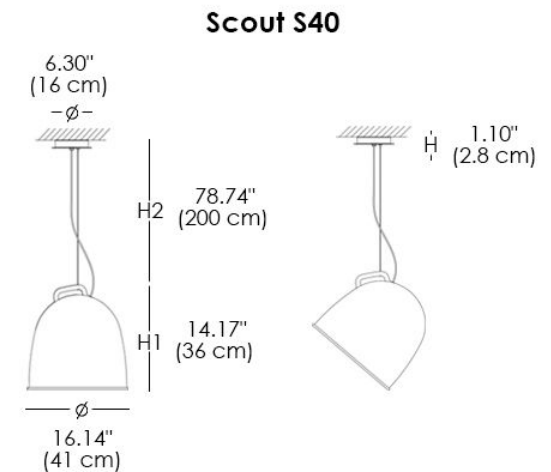
### LIGHT SOURCES

LED(E26): 2 x max.15W (E26)  
Fluo.: 2 x max. 23W (E26)  
LED: 16W  
Luminous Flux: 1520lm  
Color temperature: 2700K  
CRI: ≥90  
Voltage: 110V DIM PHASE-CUT

### CERTIFICATIONS



Adjustable suspension lamp with a metal structure and opaline glass diffuser. Available in beige, red and gray with a shade colored textile cable, plus a palette of RAL colors with a textile black cable, all of them with a textured matte finish and textured matte white on the inside. This is a UL Certified Lamp.



Scout S40 Suspended Lamp By Stone Designs