

## Regina T Table Lamp

Designer - Jorge Pensi

### FINISHES

Structure Finish - Metal



Raw



Aluminum Shiny



White

### LIGHT SOURCES

Halo: 2 x max. 20W 12V (G6.35)

LED: 2 x 3.2W

Luminaire flux: 700lm

Milliampere: 350mA

Temperature: 3000K

CRI: ≥90

Voltage: 110V

### CERTIFICATIONS

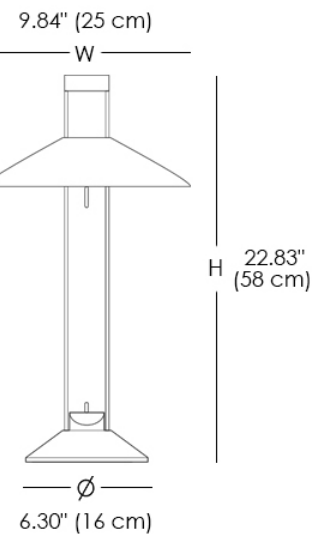


### MATERIALS

- Metal
- Glass



Regina T



Indirect light table lamp crafted of die cast aluminum. Available in a raw finish, and also in shiny aluminum, with shades in shiny aluminum, white glass.

This is an UL Certified Lamp.