

## R2 S90 Flat Canopy In Bronze Suspended Lamp (Quick Ship)

Designer - David Abad

### FINISHES

Lamp Finish - Metal



Matte Bronze

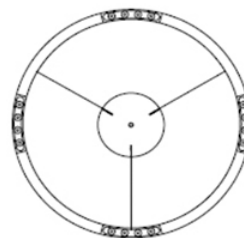
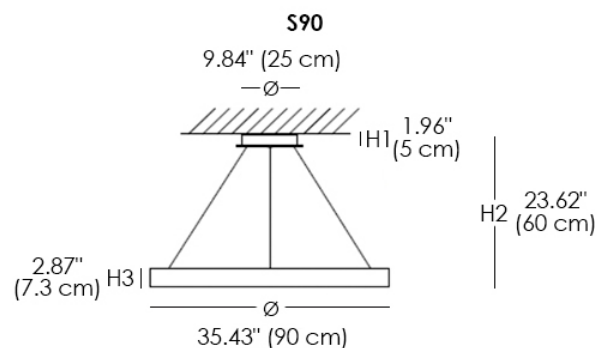
### LIGHT SOURCES

LED: 4 x 18W  
Luminaire flux: 9755lm  
Milliampere: 250mA  
Color temperature: 3000K  
CRI:  $\geq 90$   
Voltage: 110V

### MATERIALS

- Metal

### CERTIFICATIONS



Pendant lamp in aluminum featuring a ring design. The light source employs LED floodlight modules, which deliver uniform illumination. Finish: matte bronze. Dimmer.

This is an UL Certified Lamp.