

R2 S60 Flat Canopy In Black Suspended Lamp (Quick Ship)

Designer - David Abad

FINISHES

Lamp Finish - Metal



Matte Black

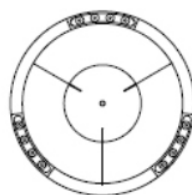
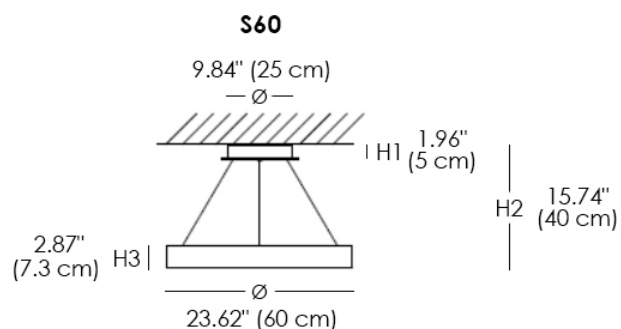
LIGHT SOURCES

LED: 3 x 18W
Luminaire flux: 7879lm
Milliampere: 250mA
Color temperature: 3000K
CRI: ≥90
Voltage: 110V

MATERIALS

- Metal

CERTIFICATIONS



Pendant lamp in aluminum featuring a ring design. The light source employs LED floodlight modules, which deliver uniform illumination. Finish: matte black. Dimmer.

This is an UL Certified Lamp.