

Misko T25 Table Lamp

Designer - Stone Designs

FINISHES

Disc Finish - Metal, Wood



Matte Black

Natural Walnut

Diffuser Finish - Glass



Matte White

Base Finish - Metal



Matte Black

Cable Finish - Fabric



Black

LIGHT SOURCES

LED 10W (E26)

Fluo. max: 11W (E26)

CERTIFICATIONS

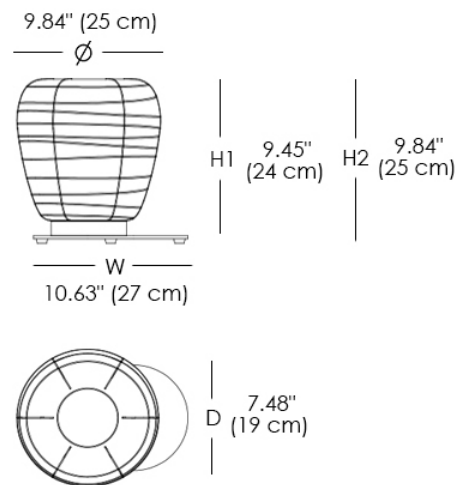


MATERIALS

- Metal
- Glass
- Wood
- Fabric



Misko T25



Japanese-inspired table lamp, available in size (T25), they are created around a disc housing the light source (E26). Metallic base painted matte black. The version with a natural wood finish has an off-white textile cable, while the black painted version has a black textile cable. This is a UL Certified lamp.