

Misko S2 Pendant Light

Designer - Stone Designs

FINISHES

Disc Finish - Metal, Wood



Matte Black



Natural Walnut

Diffuser Finish - Glass



Matte White

Cable Finish - Fabric



Black

LIGHT SOURCES

LED: 2 x 10W (E26)

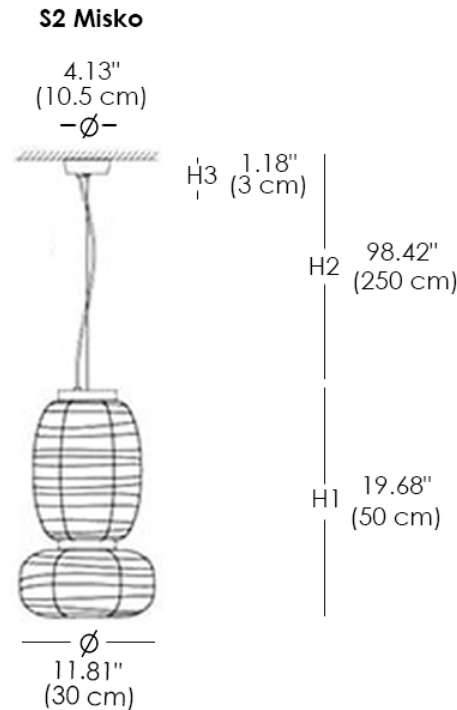
Fluo. max: 11W (E26)

CERTIFICATIONS



MATERIALS

- Metal
- Glass
- Wood
- Fabric



Japanese-inspired single or multiple suspension lamp, all of them created around a disc that houses the light source (E26). This disc is available in a walnut or painted matte black finish, which supports the textured blown-glass diffuser that comes in an opal matte white finish. The single-unit suspension lamps have one glass diffuser and are available in three sizes (S15, S25 and S35). The multiple-unit lamps allow for different configurations, since the customer can choose to set them up with two glass diffusers (S2 Glass). Black textile cable. This lamp is customizable. This is a UL Certified lamp.