

Misko F15 Floor Lamp

Designer - Stone Designs

FINISHES

Disc Finish - Metal, Wood



Matte Black



Walnut

Base Finish - Metal



Matte Black

Diffuser Finish - Glass



Matte White

Cable Finish - Fabric



Black

LIGHT SOURCES

LED: 10W (E26)
Fluo. max: 11W (E26) DIM

CERTIFICATIONS

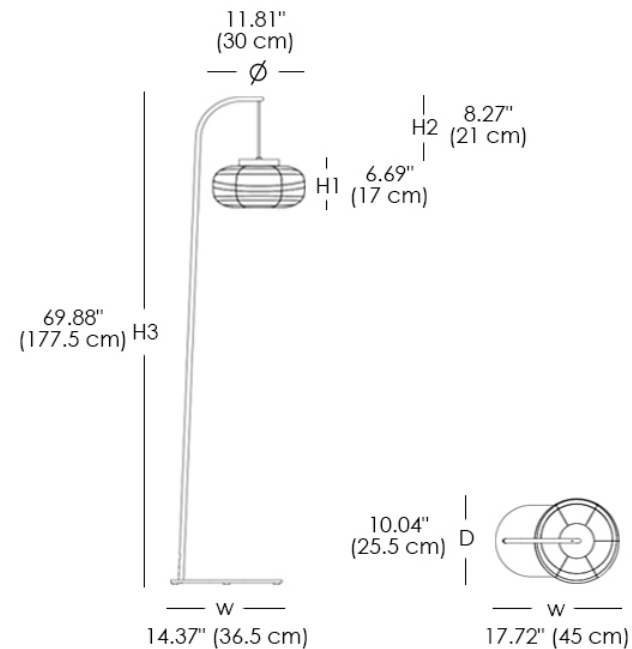


MATERIALS

- Metal
- Glass
- Wood
- Fabric



Misko F15



Japanese-inspired floor lamp, available in size (F15), they are created around a disc housing the light source (E26). The metallic base and shaft are painted matte black. Black textile cable. Dimmer. This is a UL Certified lamp.