

## Misko Camp Table Lamp

Designer - Stone Designs

### FINISHES

Disc Finish - Metal, Wood



Matte Black



Natural Walnut

Glass Diffuser - Glass



Matte White

### LIGHT SOURCES

LED: 2.1 W

Lumen: 250

Color temperature: 2700K

CRI: ≥90

Voltage: 110V

Dimmer: Touch Dimmer

### CERTIFICATIONS

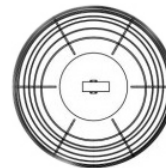
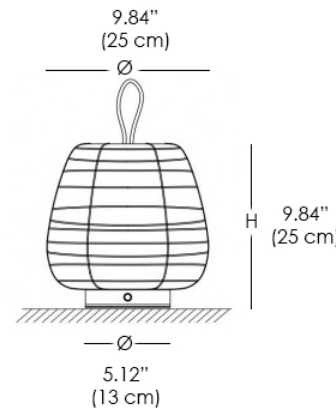


### MATERIALS

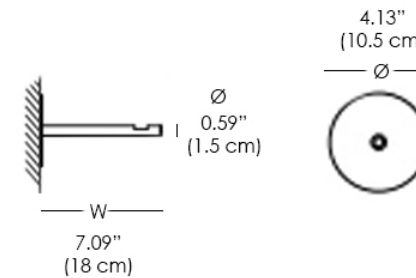
- Metal
- Wood
- Glass
- Leather



Misko Camp



Misko Hook



LED portable lamp with a battery that can be recharged by USB and the light can be dimmed with the touch-dim system. Misko Camp is made with a metal disc clad in a sheet of walnut-colored wood or painted in black. This is a UL Certified lamp.