

## Marc S Suspended Lamp

Designer - David Abad

### FINISHES

Lamp Finish - Metal, Wood



Satin White



Satin Black



Matte Gray



Natural Oak

### Shade Finish - Plastic



Opal

### LIGHT SOURCES

#### Marc S70 (1L)

LED bulb: 10.2W  
Luminaire flux: 1768lm  
Milliampere: 450mA  
Color temperature: 3000K  
CRI: ≥90  
Voltage: 110V

#### Marc S130 (1L)

LED bulb: 20.5W  
Luminaire flux: 3536lm  
Milliampere: 450mA  
Color temperature: 3000K  
CRI: ≥90  
Voltage: 110V

### CERTIFICATIONS



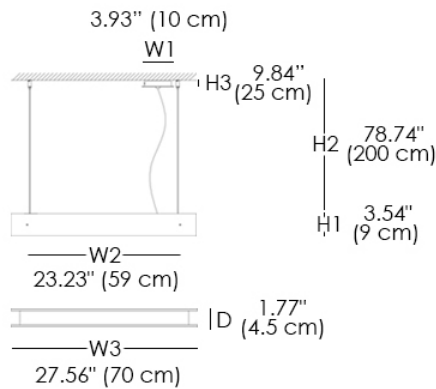
### MATERIALS

- Metal
- Wood
- Plastic

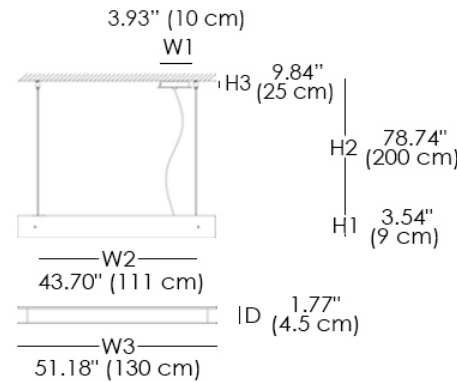
#### Marc S160 (1L)

LED bulb: 25.4W  
Luminaire flux: 4420lm  
Milliampere: 450mA  
Color temperature: 3000K  
CRI: ≥90  
Voltage: 110V

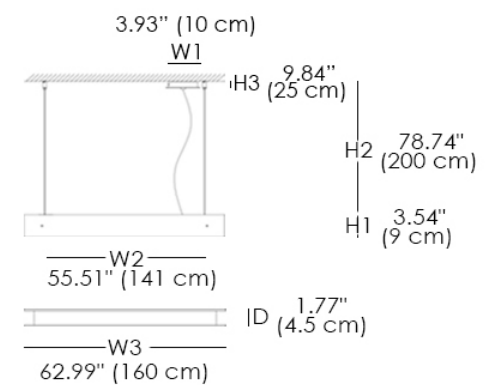
#### Marc S70 (1L)



#### Marc S130 (1L)



#### Marc S160 (1L)



A LED lamp collection composed of a suspension (S) version. Made of aluminum, they feature an opal polycarbonate diffuser and emit direct (1L) or indirect (1L) light. The collection is available in different finishes: matte gray, satin white, satin black, and oak laminate. This is a UL Certified Lamp.