

## Marc Dos S Suspended Lamp

Designer - David Abad

FINISHES

Lamp Finish - Metal, Wood



Satin White



Satin Black



Matte Gray



Natural Oak

Shade Finish - Plastic



Opal

LIGHT SOURCES

**Marc Dos 130 1l**

LED bulb: 20.5W

Luminaire flux: 3536lm

Milliampere: 450mA

Color temperature: 3000K

CRI: ≥90

Voltage: 110V

**Marc Dos 160 1l**

LED bulb: 25.4W

Luminaire flux: 4420lm

Milliampere: 450mA

Color temperature: 3000K

CRI: ≥90

Voltage: 110V

**Marc Dos 250 1l**

LED bulb: 43.2W

Luminaire flux: 7514lm

Milliampere: 450mA

Color temperature: 3000K

CRI: ≥90

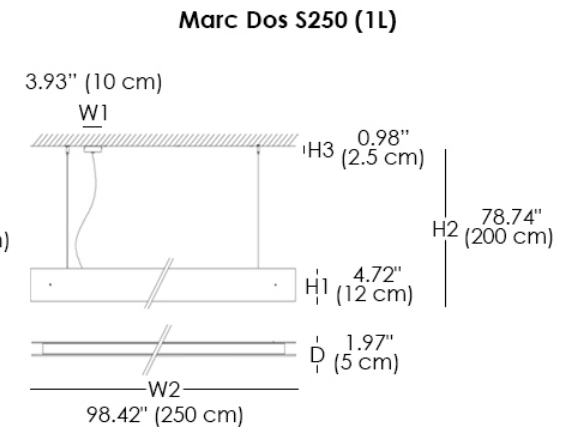
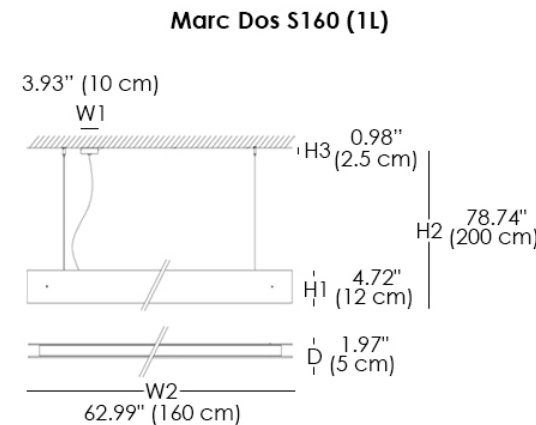
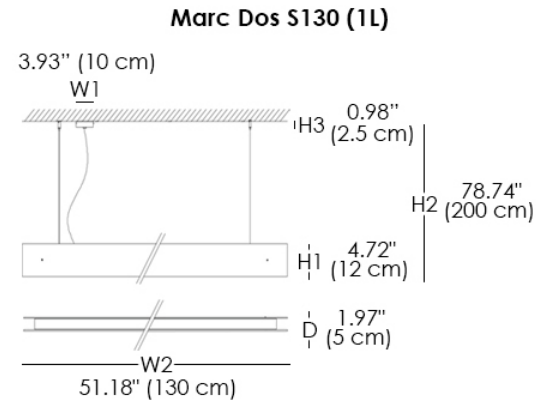
Voltage: 110V

CERTIFICATIONS



MATERIALS

- Metal
- Wood
- Plastic



A collection of LED lamps composed of suspension (S) version, made of aluminum and with an opal polycarbonate diffuser. They emit direct (1L) or indirect (1L) light. Available in various finishes: matte gray, satin white, satin black, or oak laminate. A version featuring two "on" settings and a dimmer version are also available. Other measurements, finishes and an emergency kit are optional. This is an UL Certified Lamp.