

## Lola T Table Lamp

Designer - David Abad

### FINISHES

Structure Finish - Metal



Matte White



Matte Black

Fabric Shade Finish - Fabric



Matte White



Matte Black

### LIGHT SOURCE

LED: 2 x 10W  
Voltage: 110V

### CERTIFICATIONS



### MATERIALS

- Metal
- Fabric

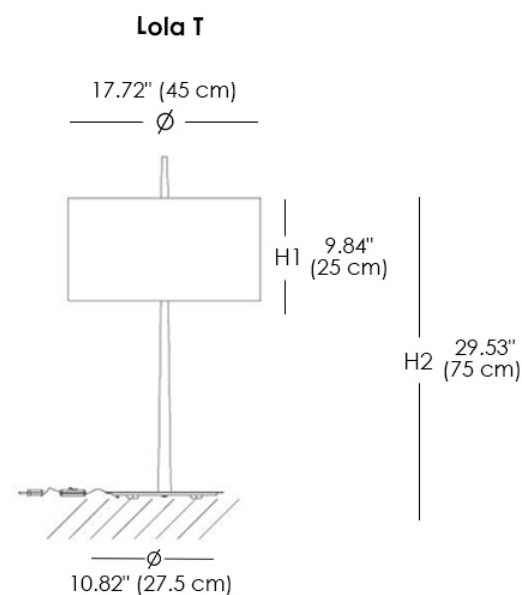


Table lamp with a metal body and fabric shade. Available in two finishes: black matte textured body with an opaque black shade and gold textile cable, or white matte textured body with an opaque white shade and a gold textile cable. In both versions, the inside of the shade is gold.