

## Lite Hole C/W Ceiling Lamp

Designer - David Abad

### FINISHES

Structure Finish - Metal



Matte White



Matte Black



Gold



Copper

Diffuser Finish - Glass



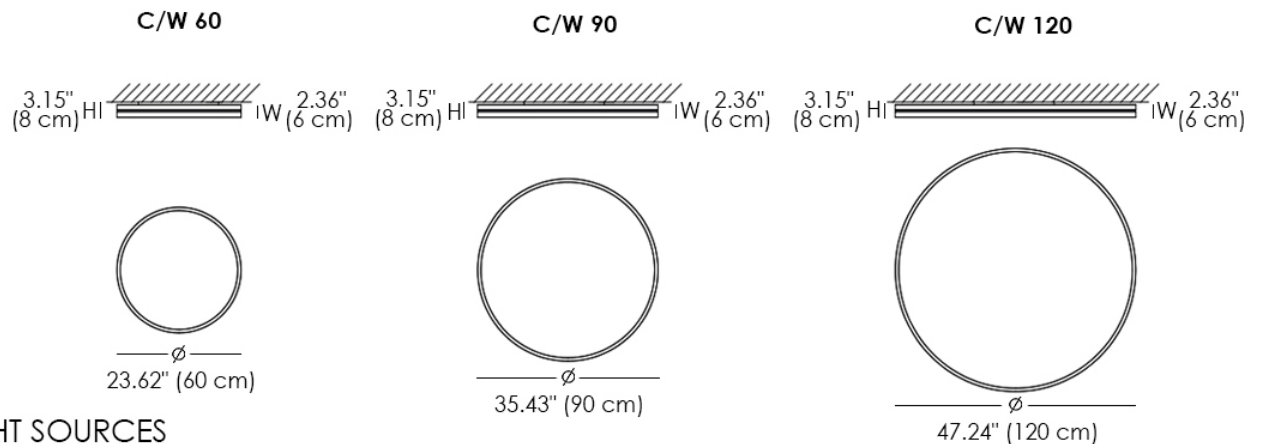
Opal Glass

### CERTIFICATIONS



### MATERIALS

- Metal
- Glass



### LIGHT SOURCES

#### Lite Hole C/W 60

LED: 17.4W  
Luminaire flux: 3416lm  
Milliampere: 150mA  
Color temperature: 3000K  
CRI:  $\geq 90$   
Voltage: 110V

#### Lite Hole C/W 90

LED: 41W  
Luminaire flux: 7960lm  
Milliampere: 350mA  
Color temperature: 3000K  
CRI:  $\geq 90$   
Voltage: 110V

#### Lite Hole C/W 120

LED: 19.5W, 41W  
Luminaire flux: 3664lm, 7960lm  
Milliampere: 225mA, 350mA  
Color temperature: 3000K  
CRI:  $\geq 90$   
Voltage: 110V

Large ceiling and wall lamp consisting of two concentric and opposing aluminum hoops that make up a short, circular lighting body. It is manufactured in two large sizes, with diameters of 120 and 90 centimeters, as well as in a 60-cm size.  
This is an UL Certified Lamp.