

Kupetz

Designer - E27, Tim Brauns

LIGHT SOURCES

Kupetz 150:

LED: 8W
Luminaire flux: 560lm
Color temperature: 2700K
CRI: ≥90
Voltage: 110V
DIM PHASE CUT

Kupetz 100:

LED: 8W
Luminaire flux: 560lm
Color temperature: 2700K
CRI: ≥90
Voltage: 110V
DIM PHASE CUT

CERTIFICATIONS



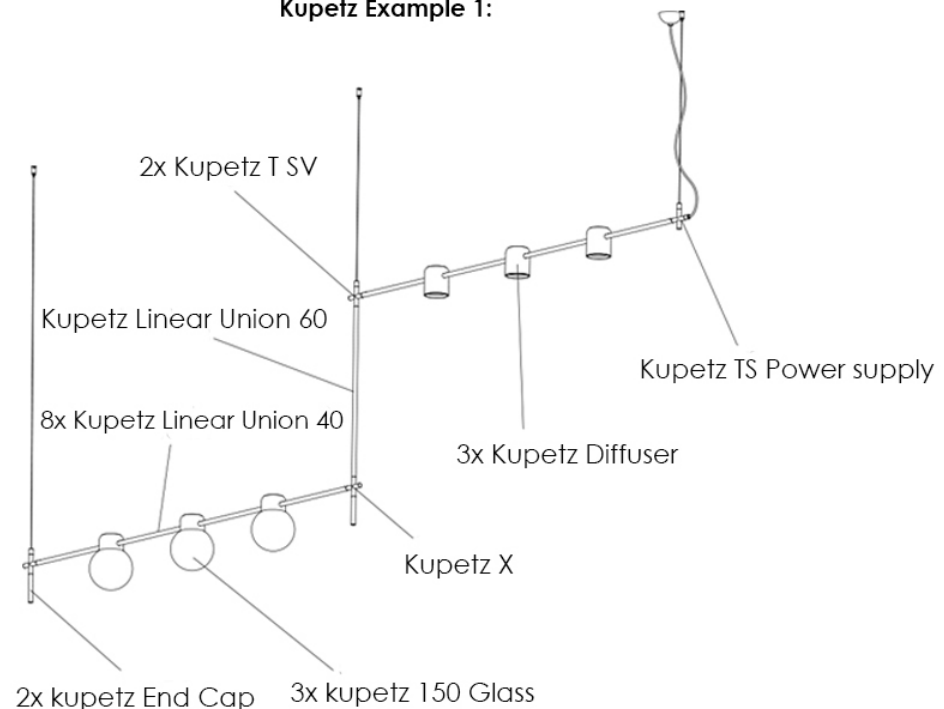
MATERIALS

- Metal
- Glass

3D light system made with different light sources and unions, and its arrangement allows you to adjust the lighting to each space. This is a metal tubular system in matte black where you can combine four types of light sources: two opal white glass spheres (100 Glass and 150 Glass) and a spotlight with LED reflector that is available with different opening angles (Reflector) or a spotlight with opal diffuser (Diffuser). These spotlights and the base of the glass spheres come in three different finishes: black, copper and gold.

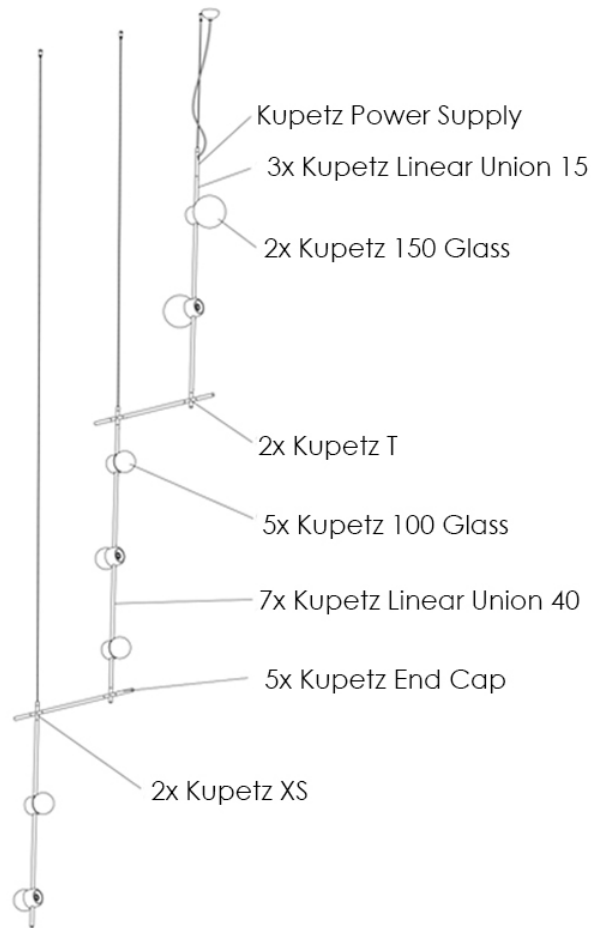


Kupetz Example 1:

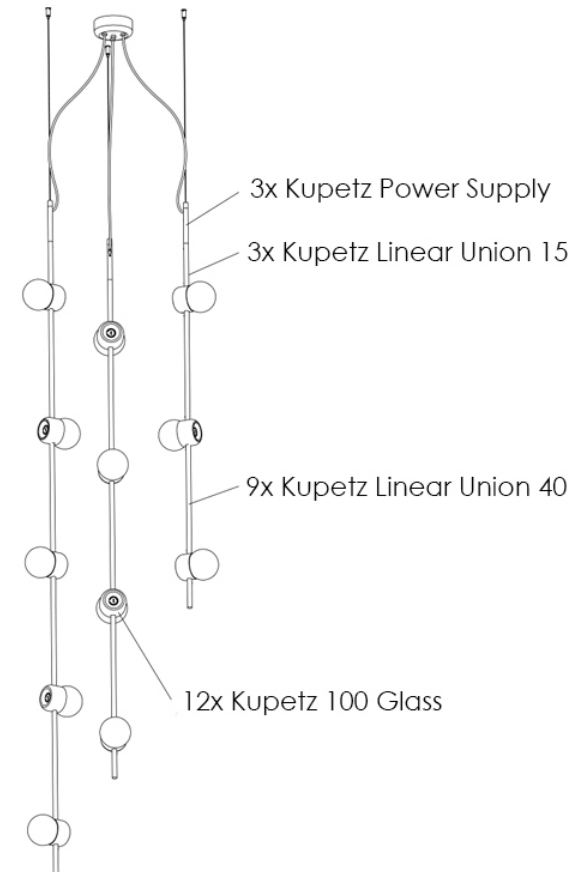


Kupetz

Kupetz Example 2:

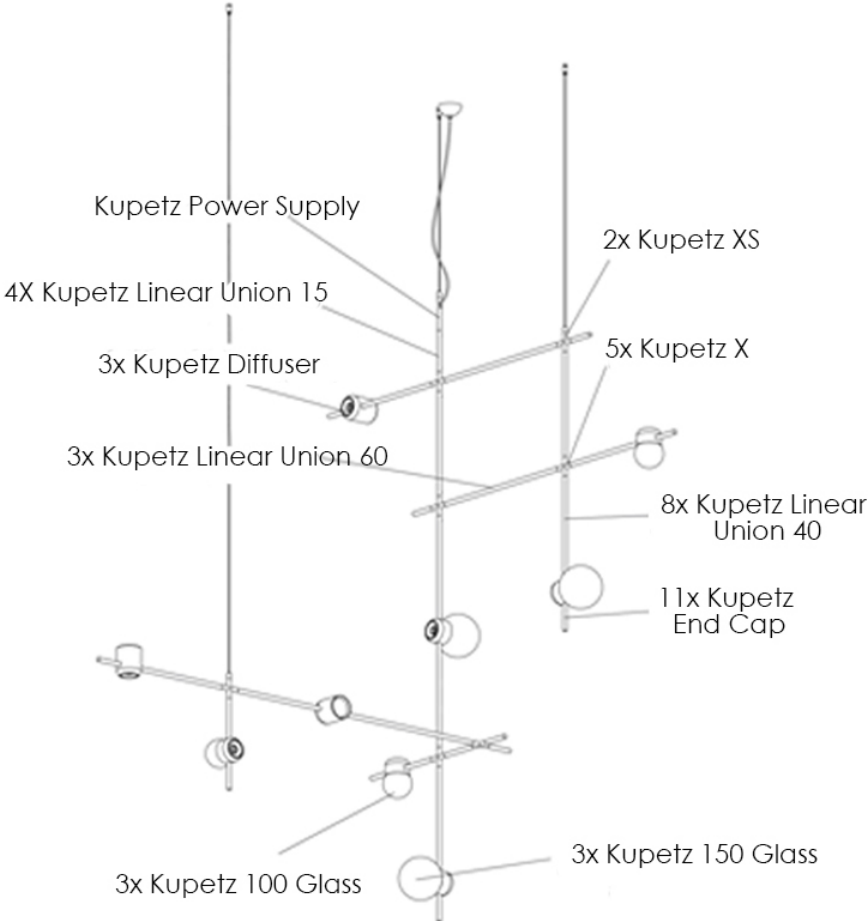


Kupetz Example 3:

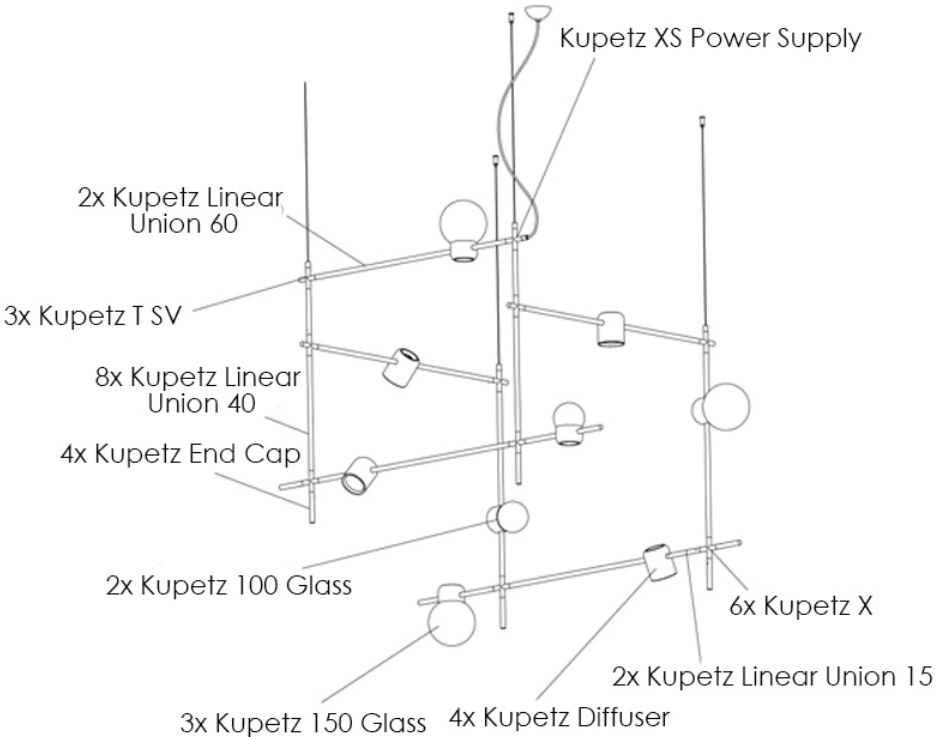


Kupetz

Kupetz Example 4:

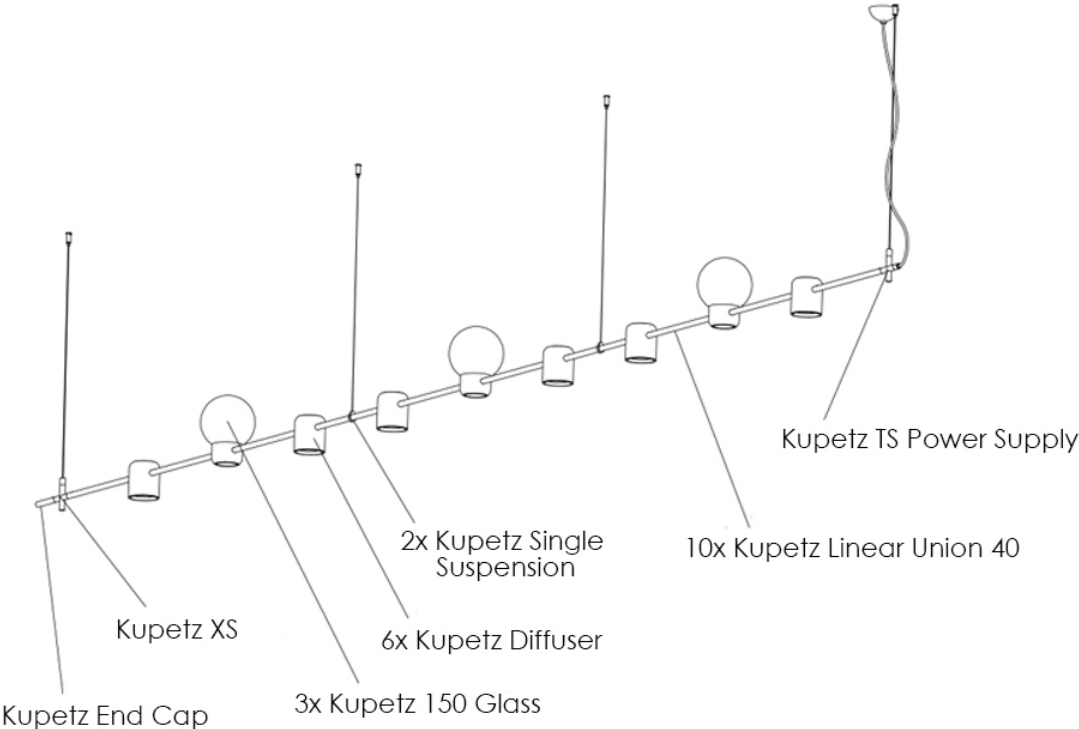


Kupetz Example 5:

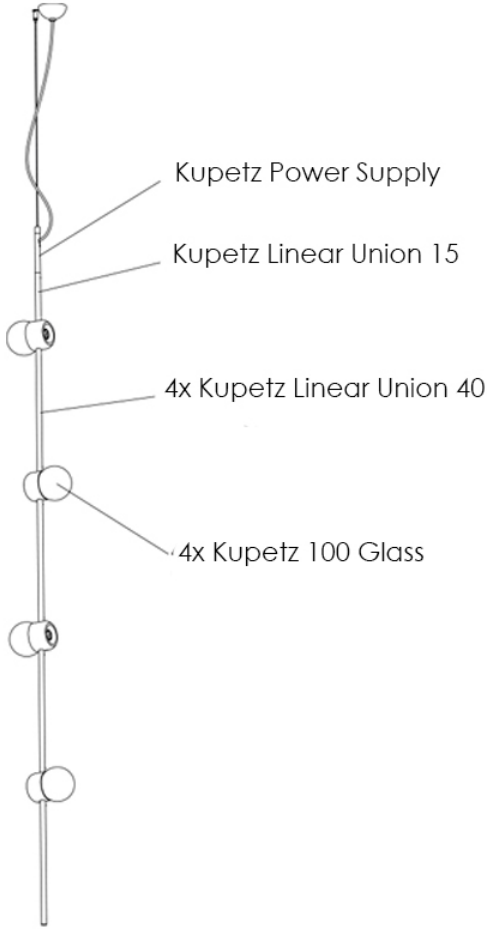


Kupetz

Kupetz Example 6:

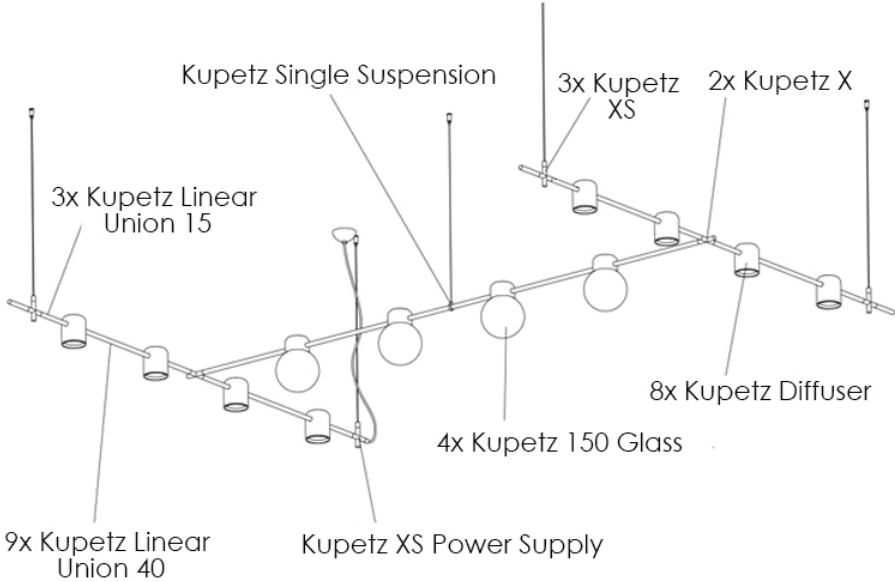


Kupetz Example 7:

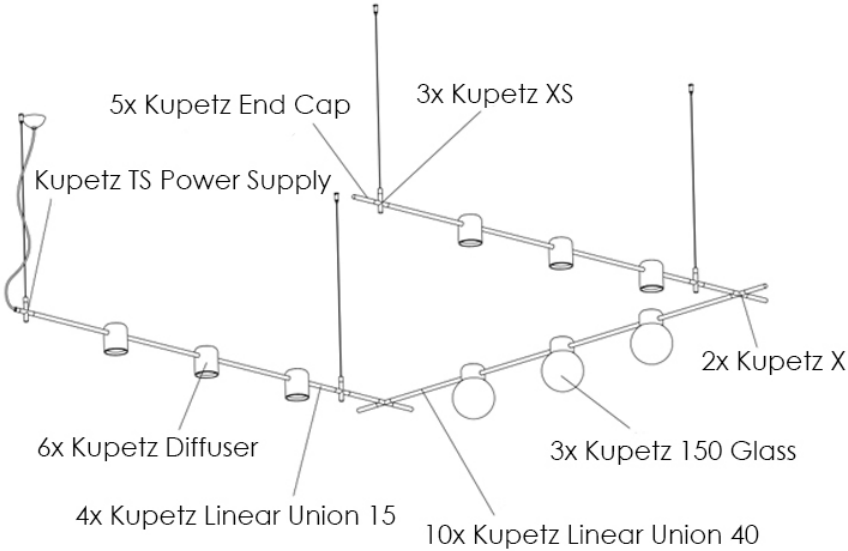


Kupetz

Kupetz Example 8:

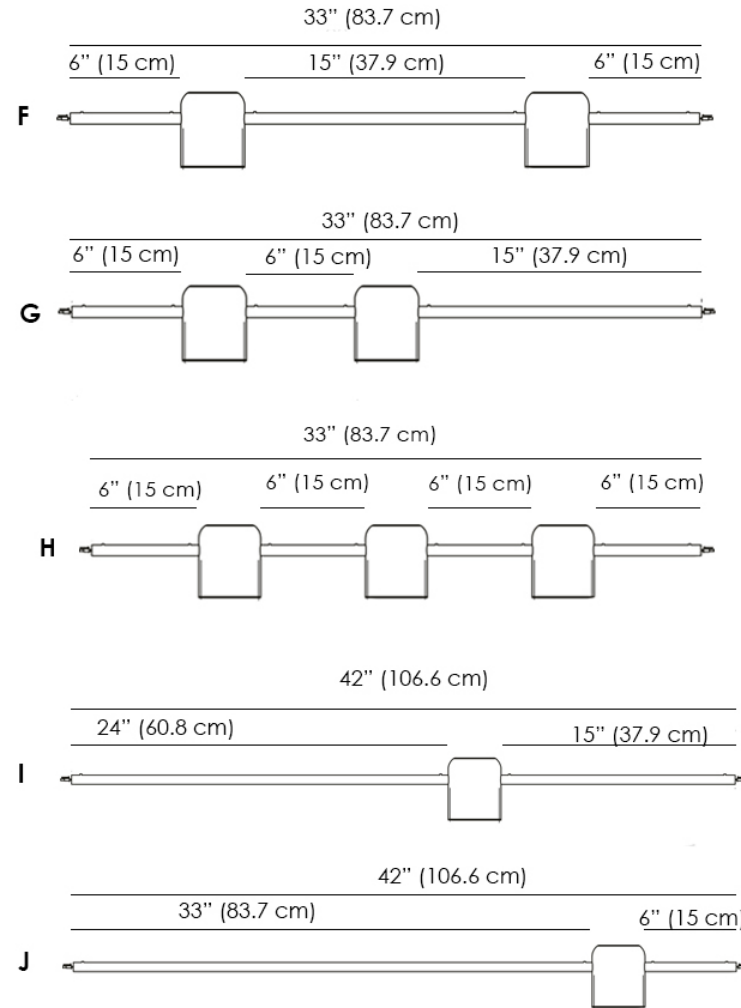
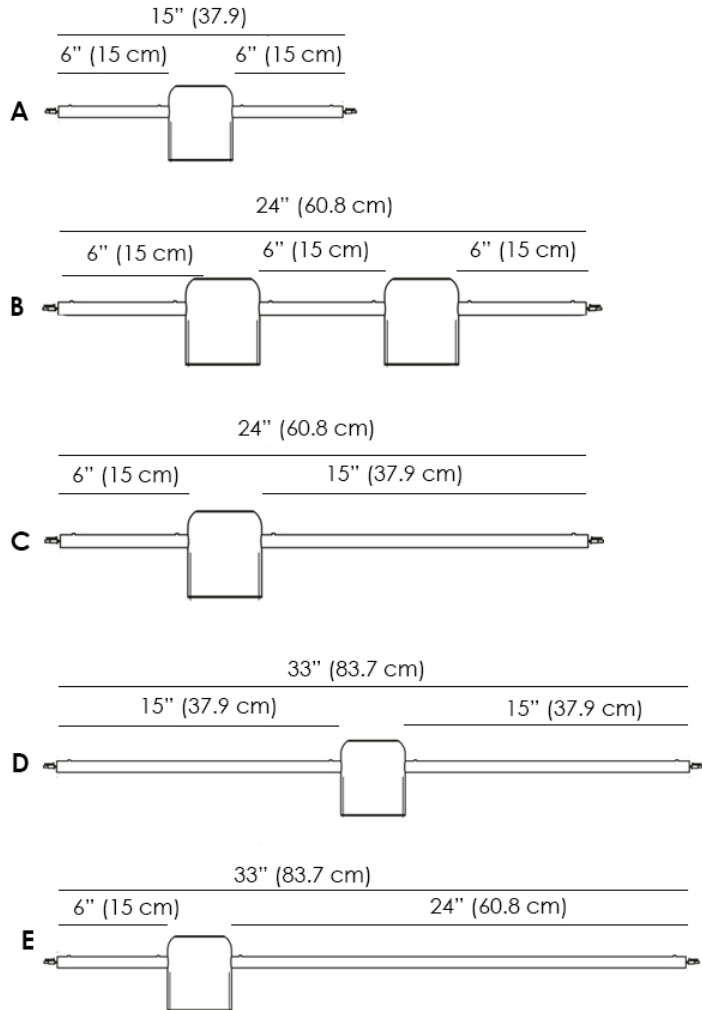


Kupetz Example 9:



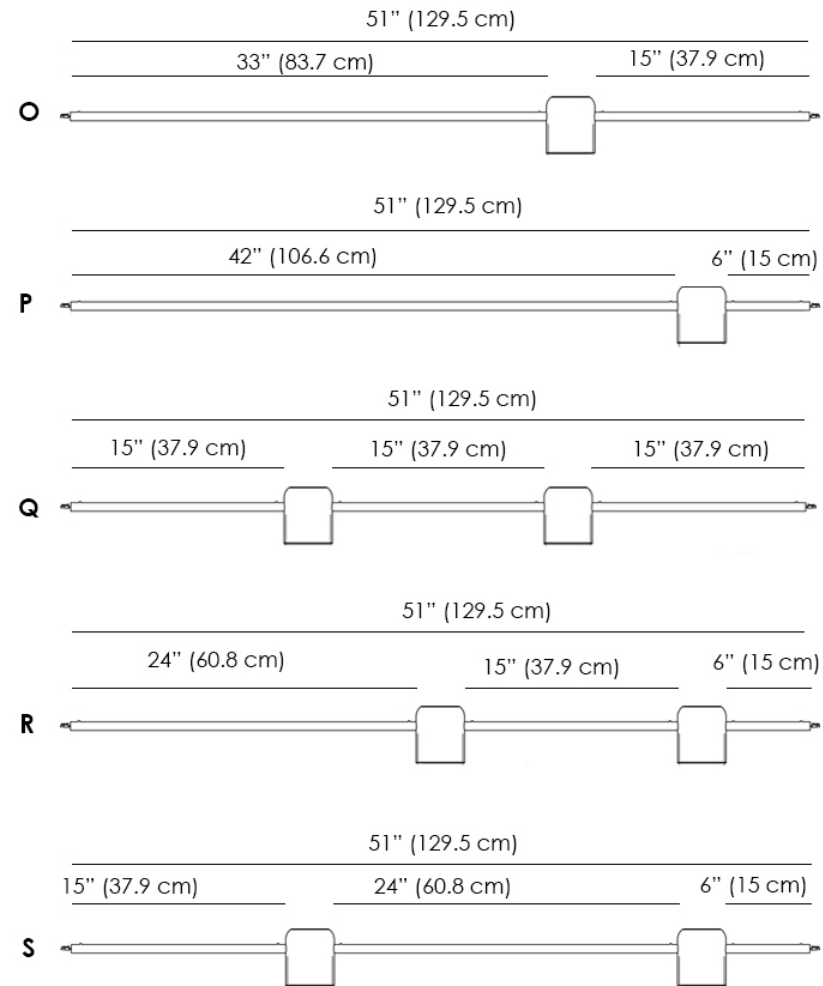
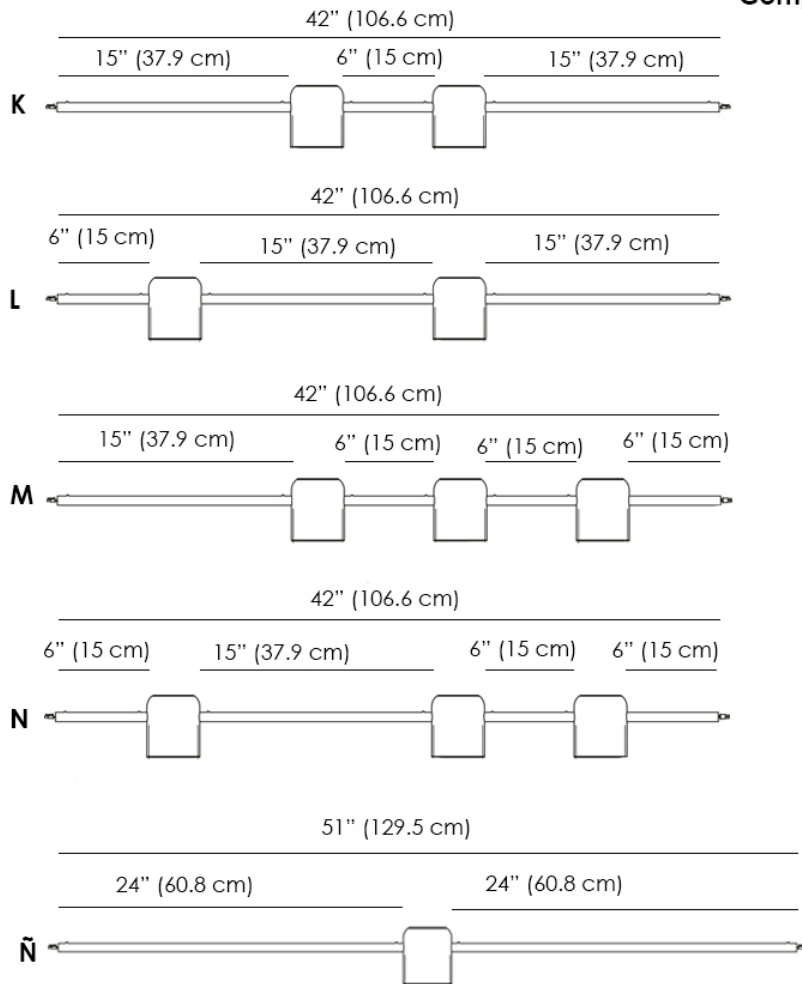
Kupetz

Compositions



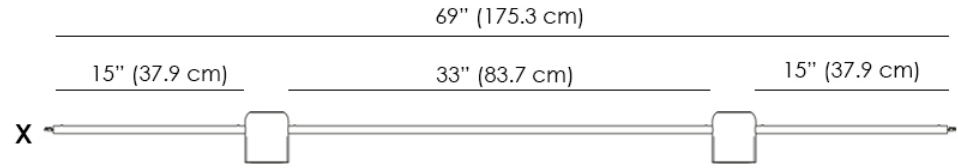
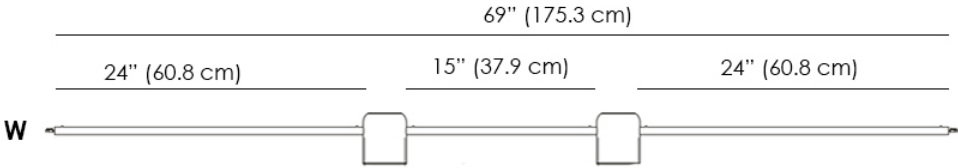
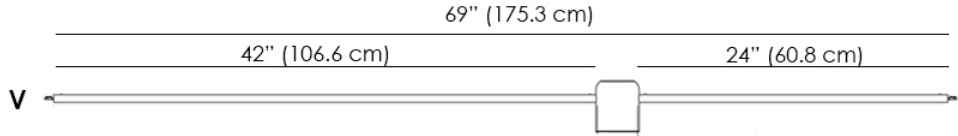
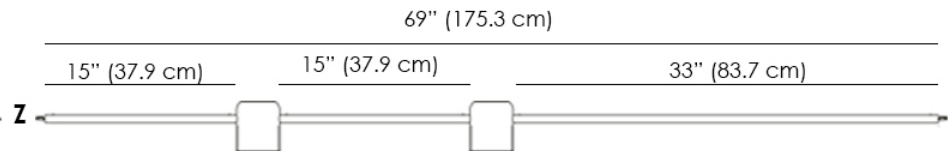
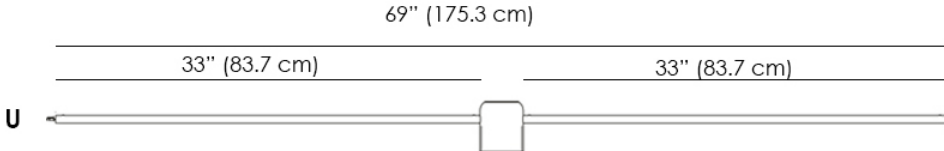
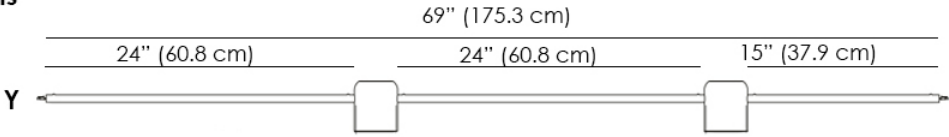
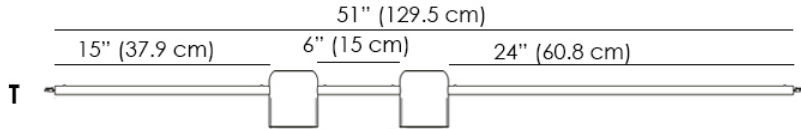
Kupetz

Compositions



Kupetz

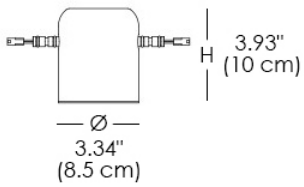
Compositions



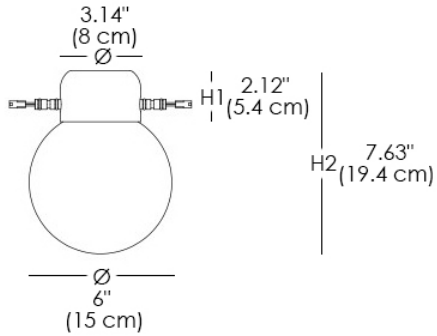
Kupetz

Kupetz Components

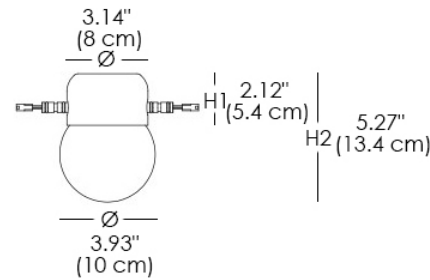
Kupetz Diffuser



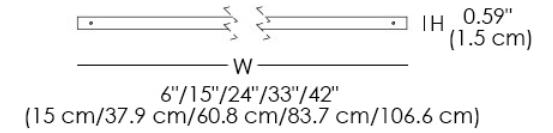
Kupetz 150



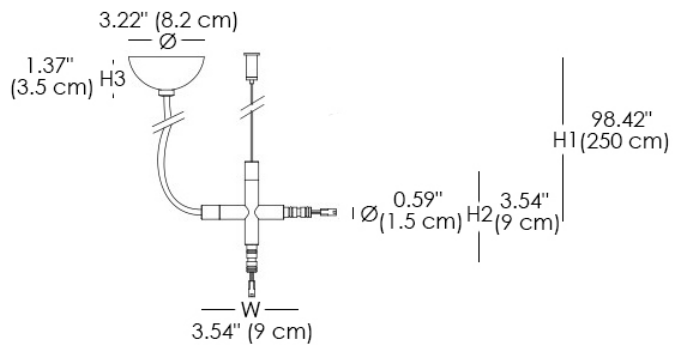
Kupetz 100



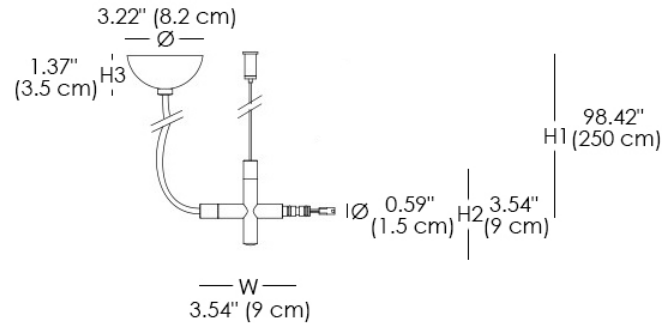
Kupetz Linear Union



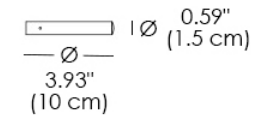
Kupetz XS Power Supply



Kupetz TS Power Supply



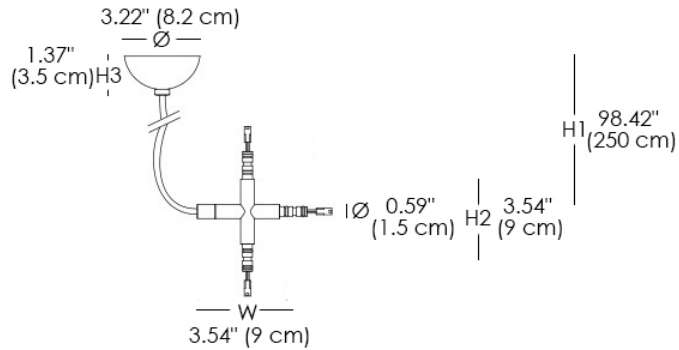
Kupetz End Cap



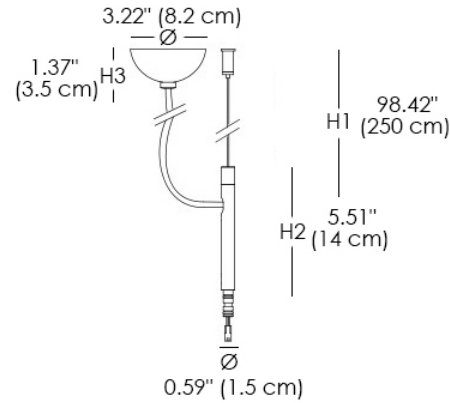
Kupetz

Kupetz Components

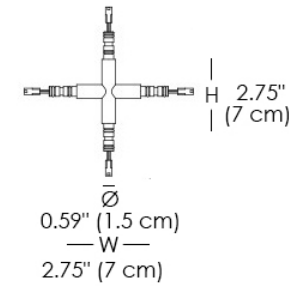
Kupetz XH Power Supply



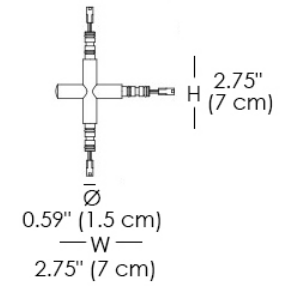
Kupetz S Power Supply



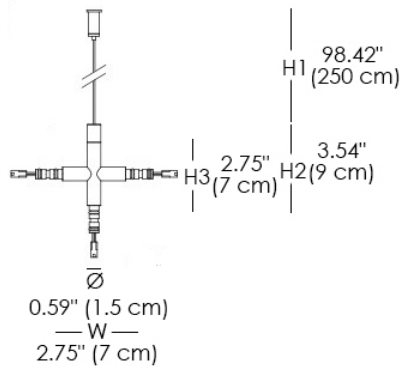
Kupetz X



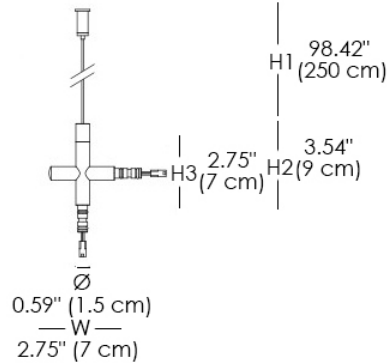
Kupetz T



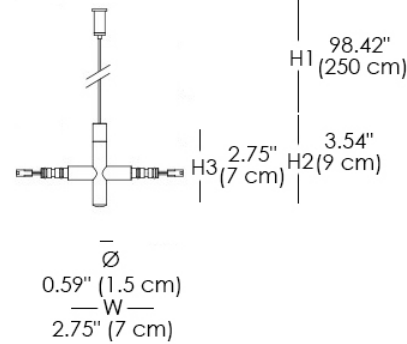
Kupetz X S



Kupetz T SV



Kupetz T SH



Kupetz Single Suspension

