

Keshi T50 Table Lamp

Designer - David Abad

FINISHES

Bar Finish - Metal



Matte Black

Lamp Finish - Marble



Black Markina

LIGHT SOURCES

LED: 24W
Luminous Flux: 1730lm
Color temperature: 2700K
CRI: ≥90 DIM
Voltage: 110V

CERTIFICATIONS



MATERIALS

- Metal
- Marble



Keshi T50

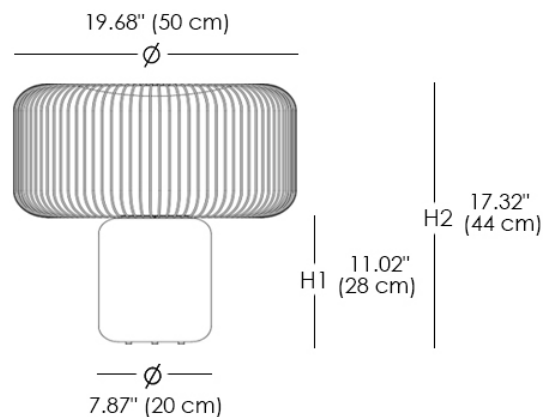


Table lamp crafted of sanded black Markina marble, with a metallic bar shade finished in matte black. Upper metallic reflector with mirror finish. This is a UL Certified lamp.